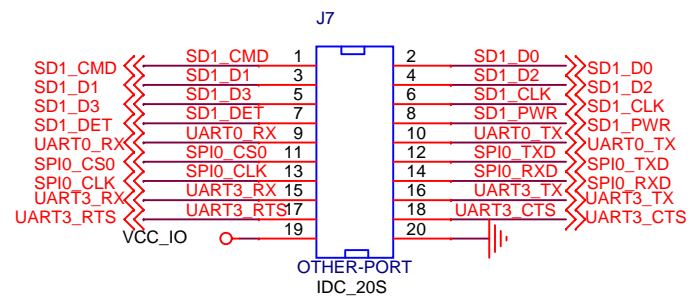
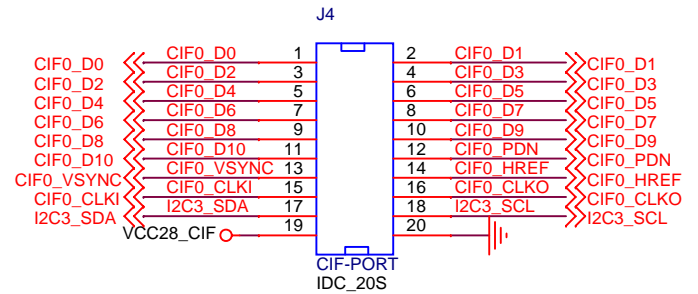
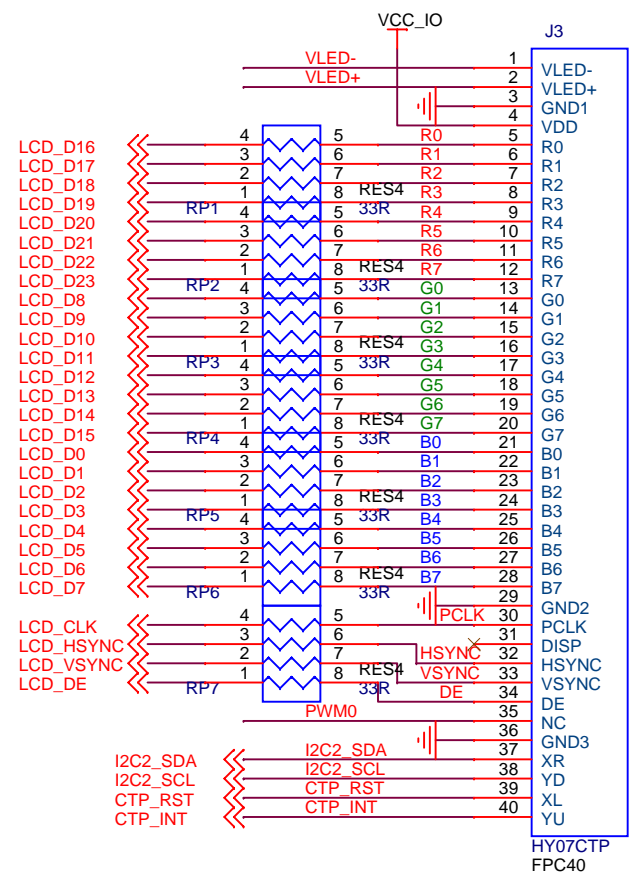
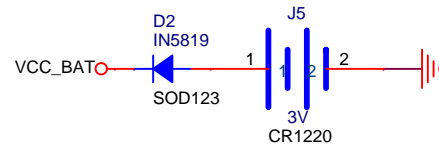


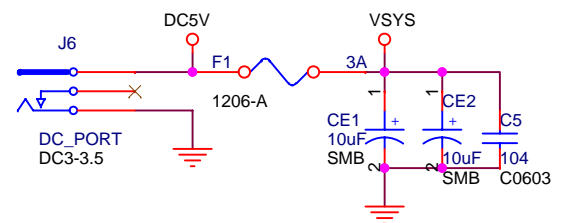
LCD



Ext Port

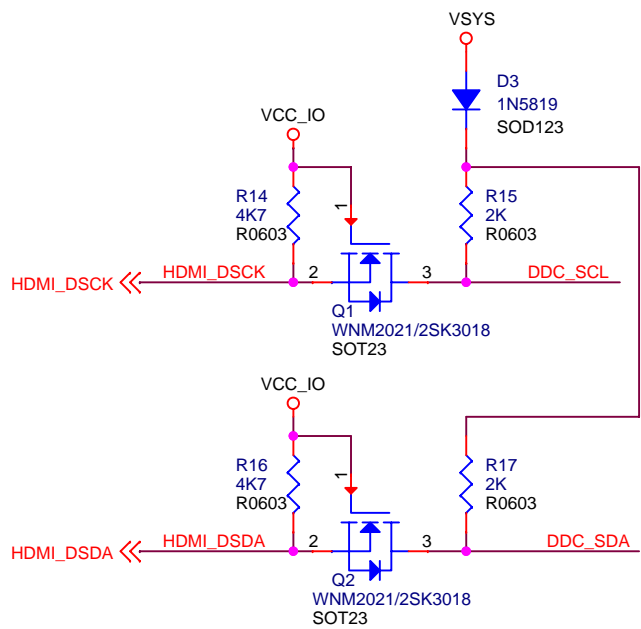


RTC BAT

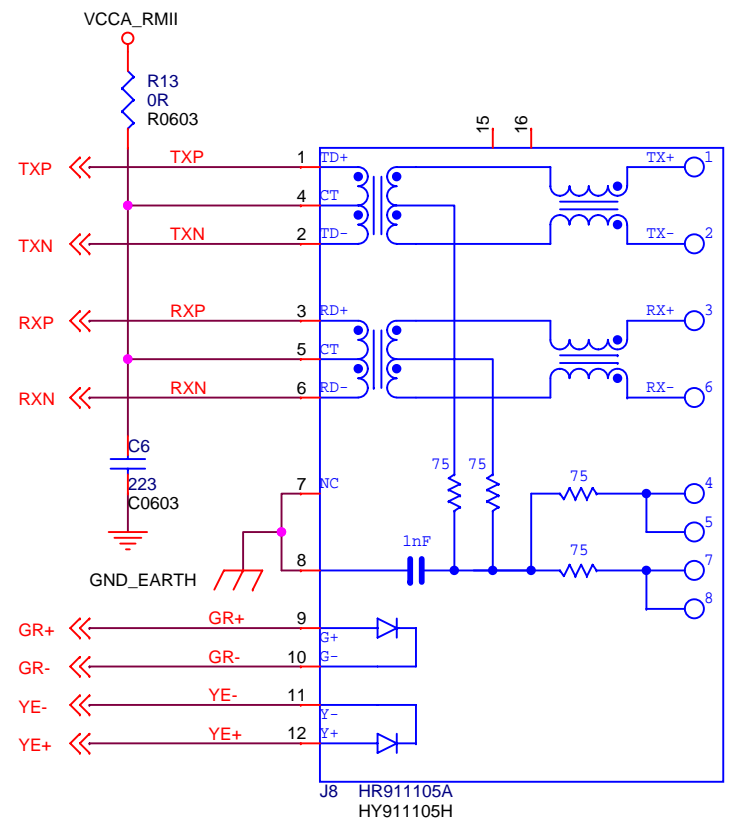
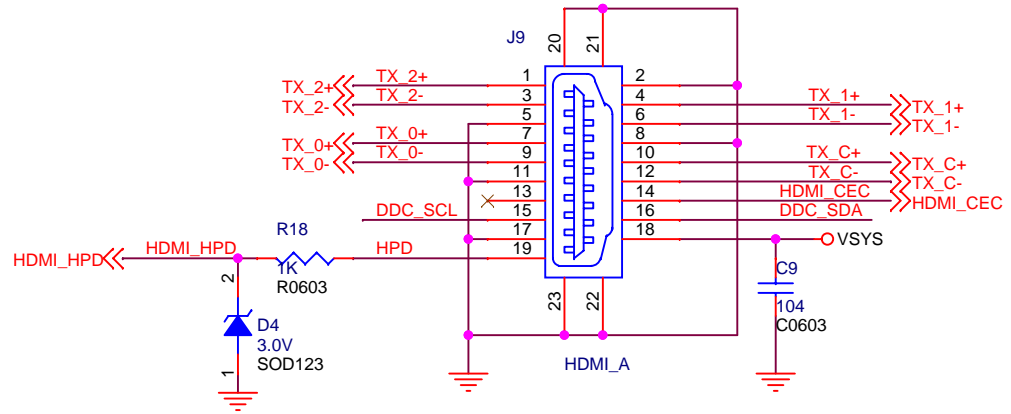


DC 5V/2A IN

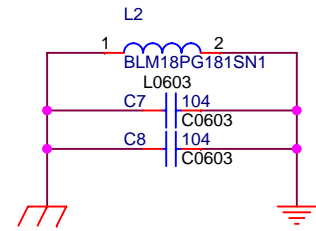
HAOYU ELECTRONICS		HAOYU Electronics
Title: SOM-RK3066		
File: LCD-PORT-POWER		REV:2.0
Create Date: Saturday, November 16, 2013	Page Num:2	
Modify Date: Monday, December 23, 2013	Page Total:6	



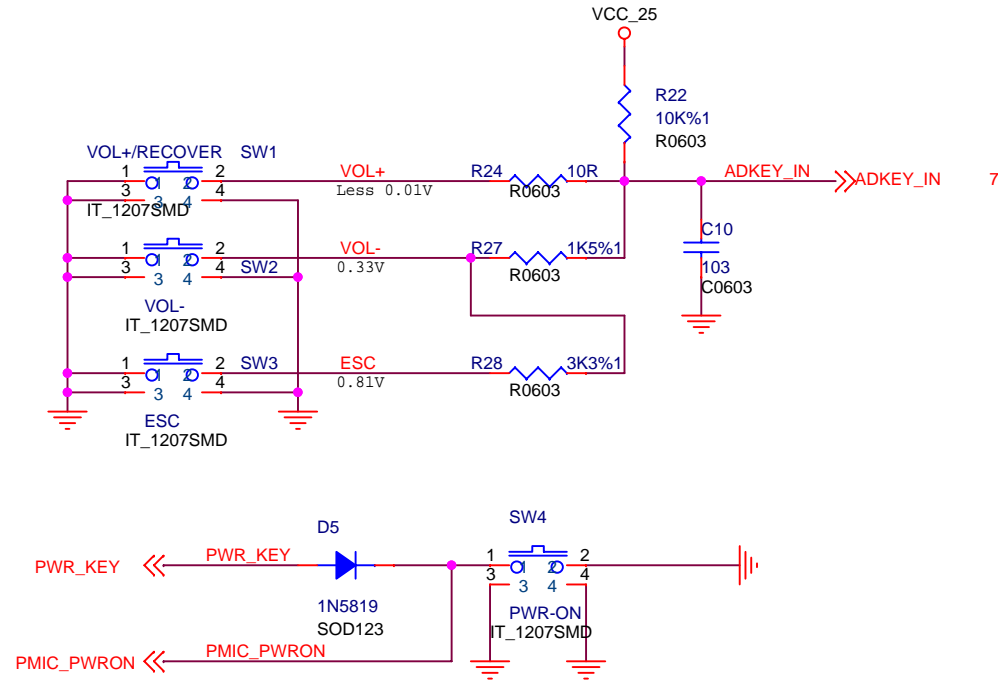
HDMI



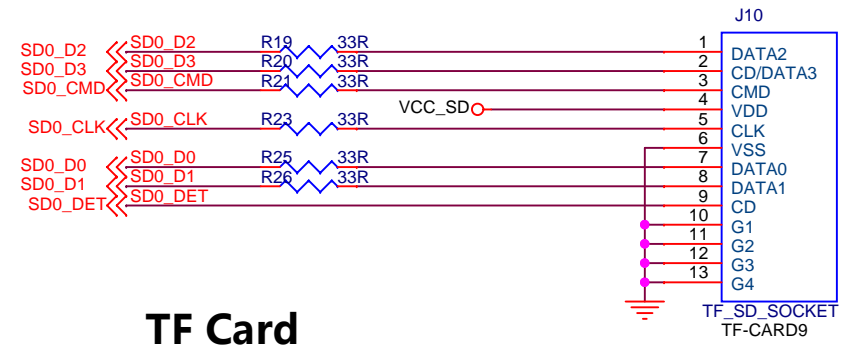
Ethernet



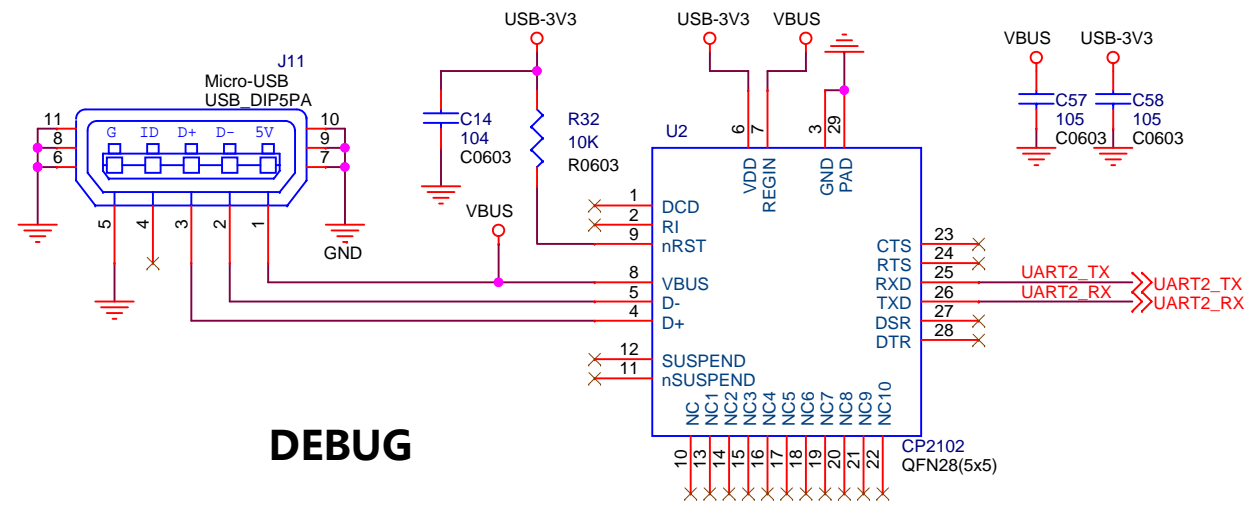
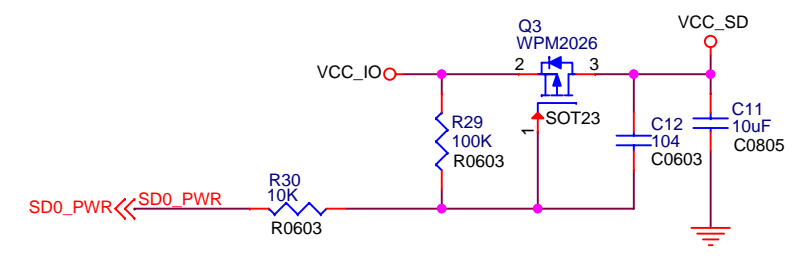
		HAOYU Electronics	
Title: SOM-RK3066			
File: HDMI-ETH			REV: 2.0
Create Date: Saturday, November 16, 2013		Page Num: 3	
Modify Date: Monday, December 23, 2013		Page Total: 6	



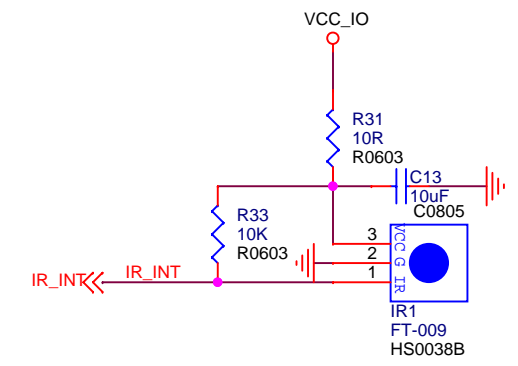
KEY



TF Card

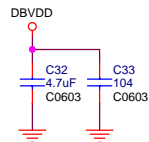
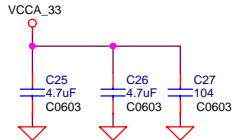
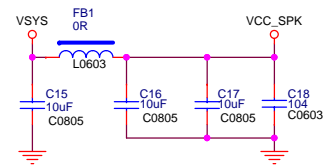


DEBUG

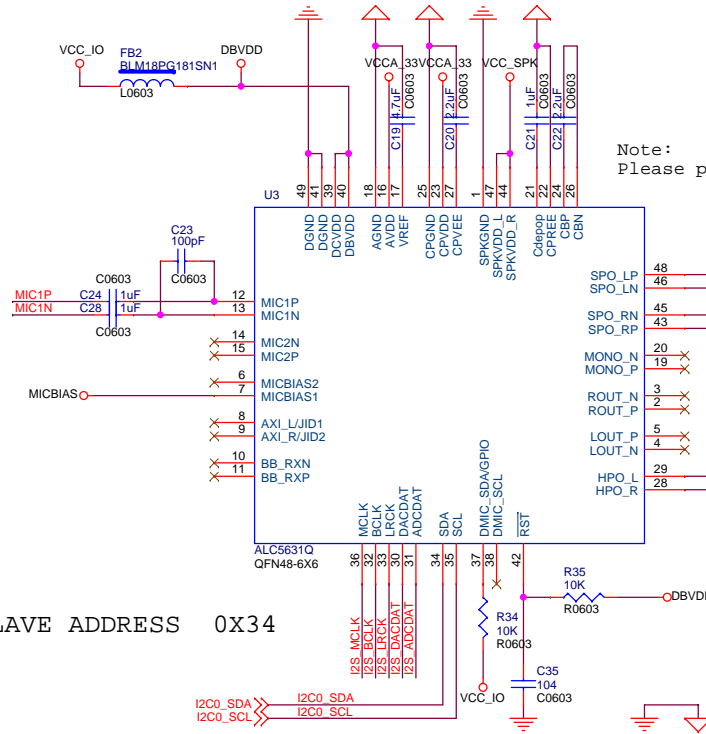


IR Receiver

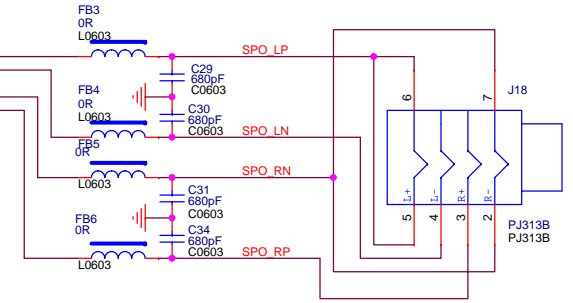
HAOYU ELECTRONICS		HAOYU Electronics
Title: SOM-RK3066		
File: KEY-TF-IR-DEBUG		REV: 2.0
Create Date: Saturday, November 16, 2013	Page Num: 4	
Modify Date: Monday, December 23, 2013	Page Total: 6	



Audio Codec Power



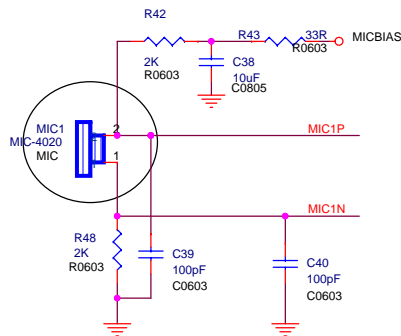
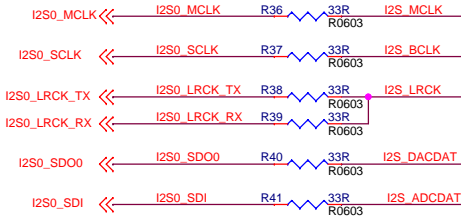
Note:
Please place these components near to CODEC.



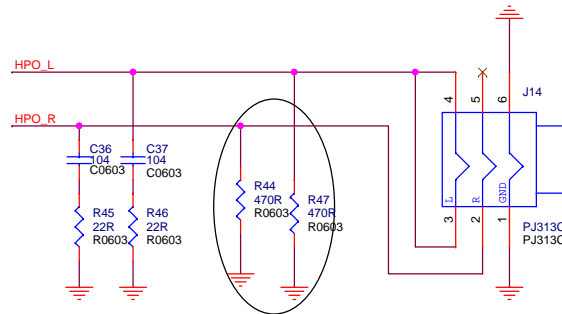
Speaker Output

SLAVE ADDRESS 0X34

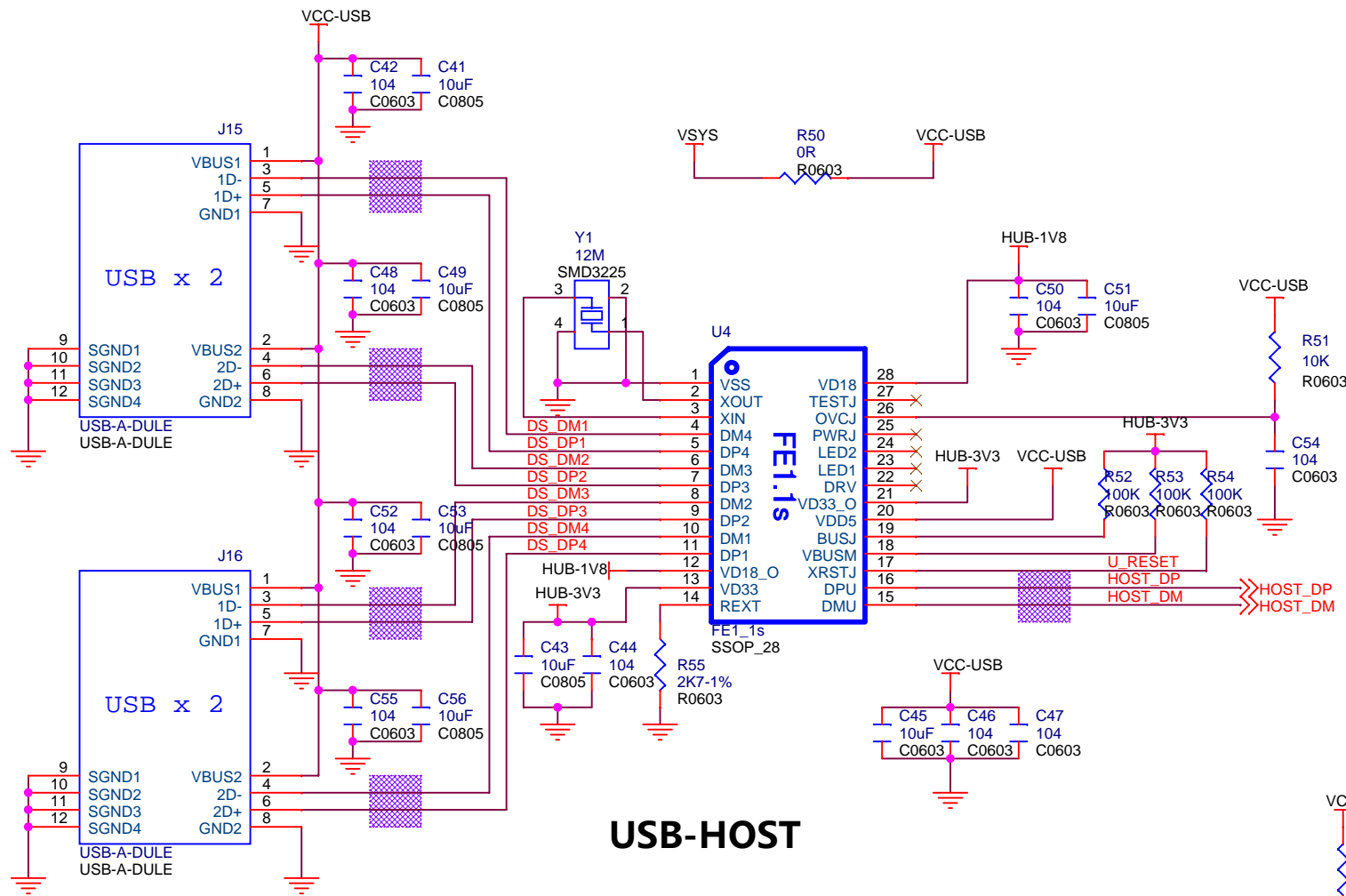
Audio Codec



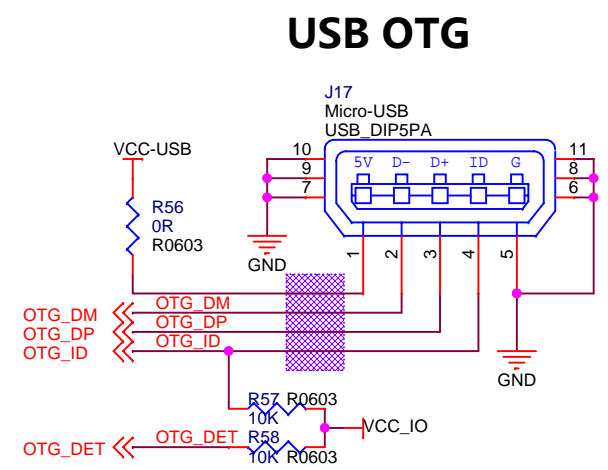
MIC Input



HPHONE Output



USB-HOST



USB OTG