

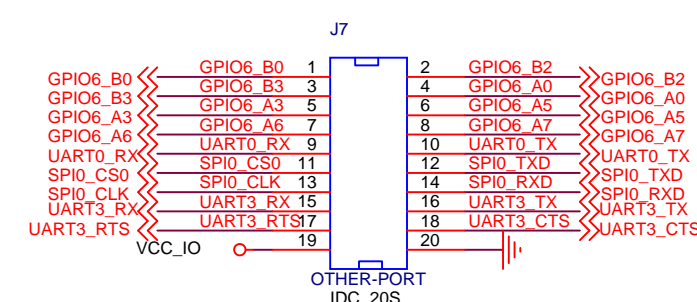
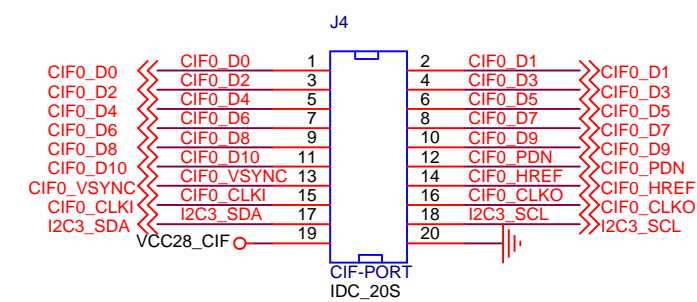
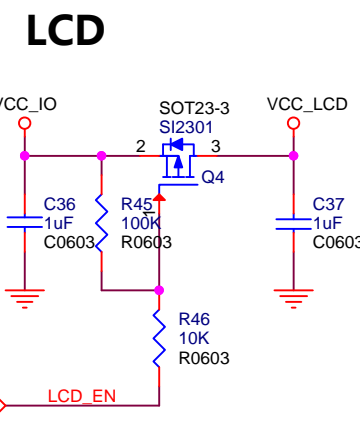
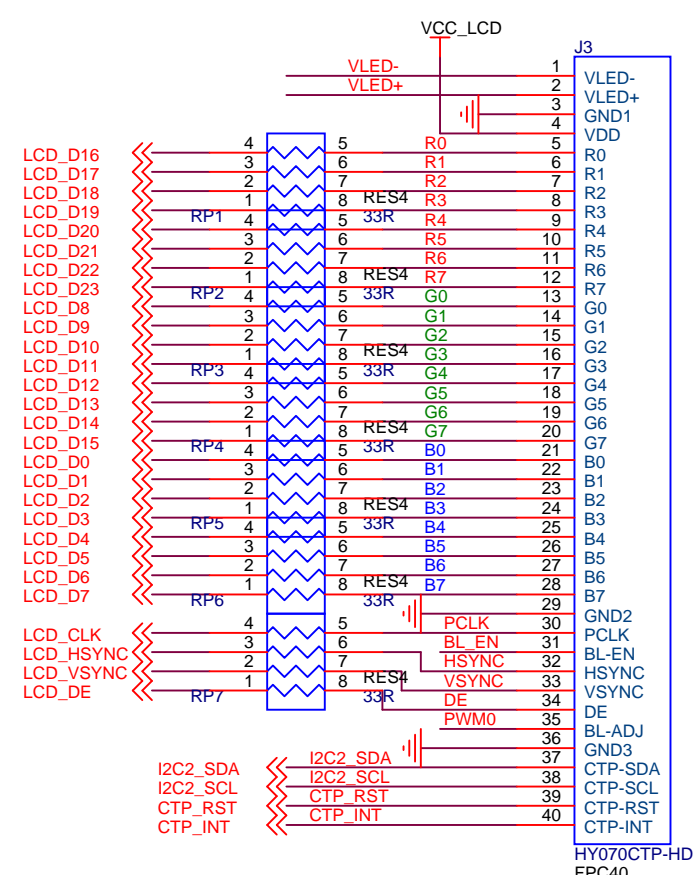
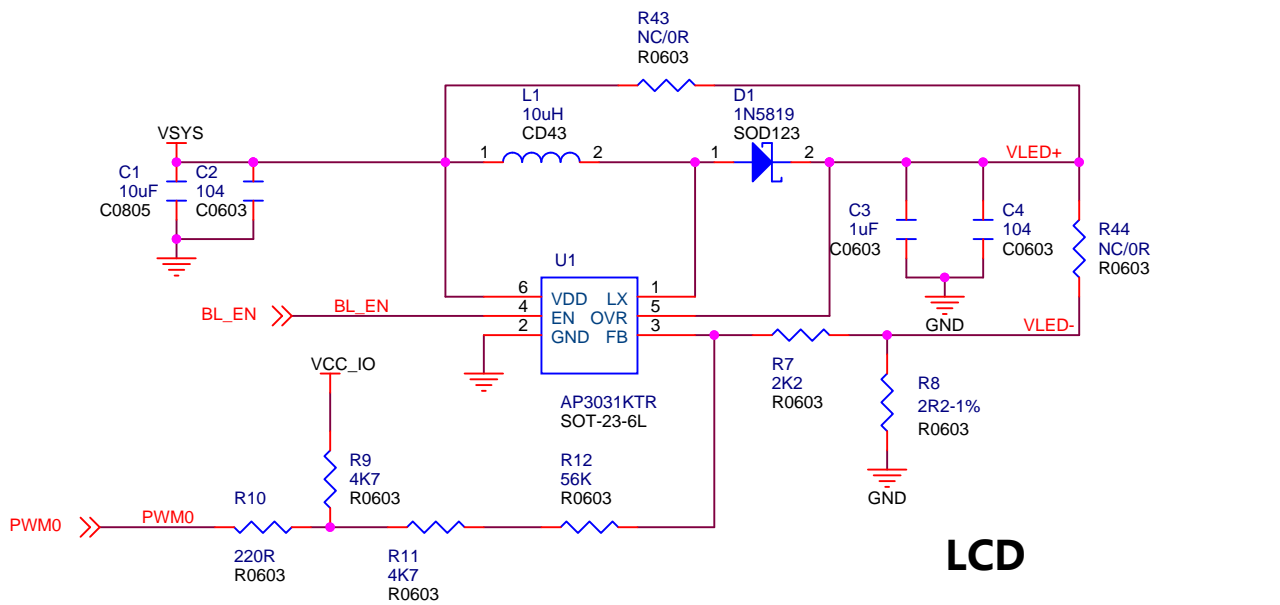
HAOYU ELECTRONICS **HAOYU Electronics**

Title: SOM-RK3066

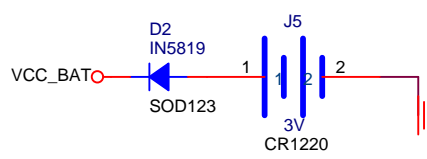
File: CM-RK3066 **REV: 3.0**

Create Date: Monday, October 28, 2013 **Page Num: 1**

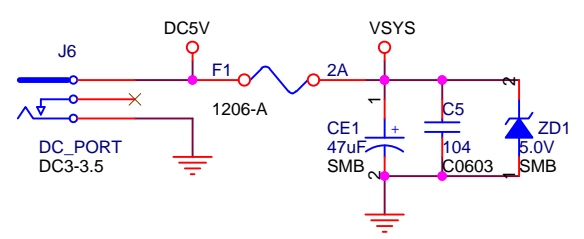
Modify Date: Monday, November 17, 2014 **Page Total: 7**



Ext Port

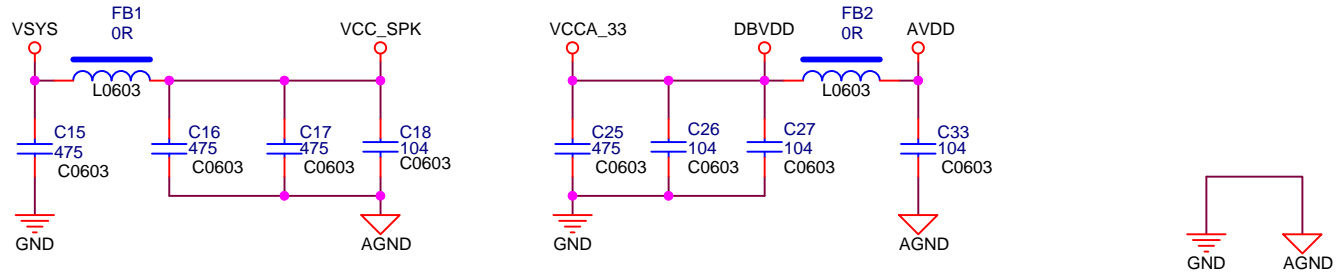


RTC BAT

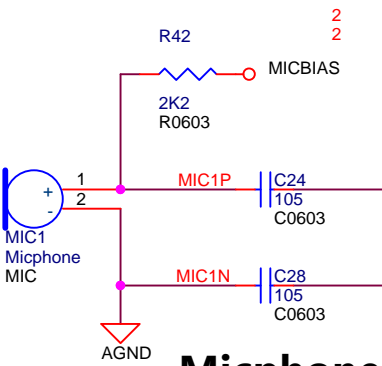
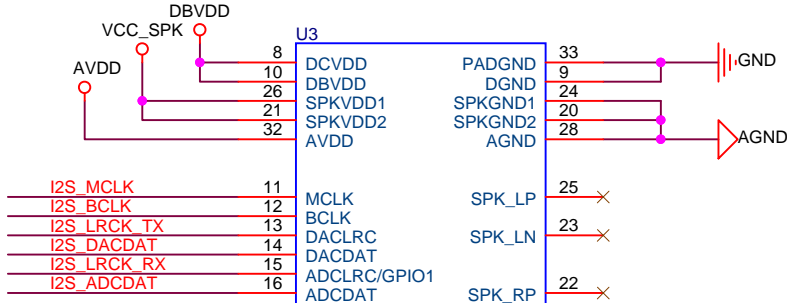
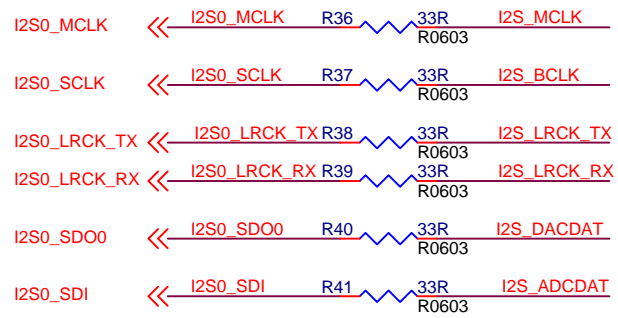


DC 5V/2A IN

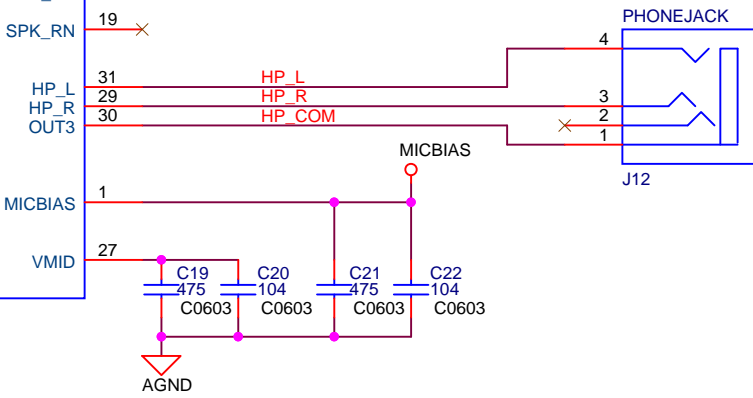
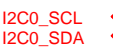
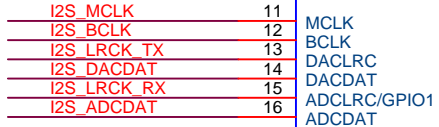
HAOYU ELECTRONICS		HAOYU Electronics	
Title: SOM-RK3066			
File: LCD-PORT-POWER			REV: 3.0
Create Date: Saturday, November 16, 2013	Page Num: 2		
Modify Date: Monday, November 17, 2014	Page Total: 7		



Audio Codec Power



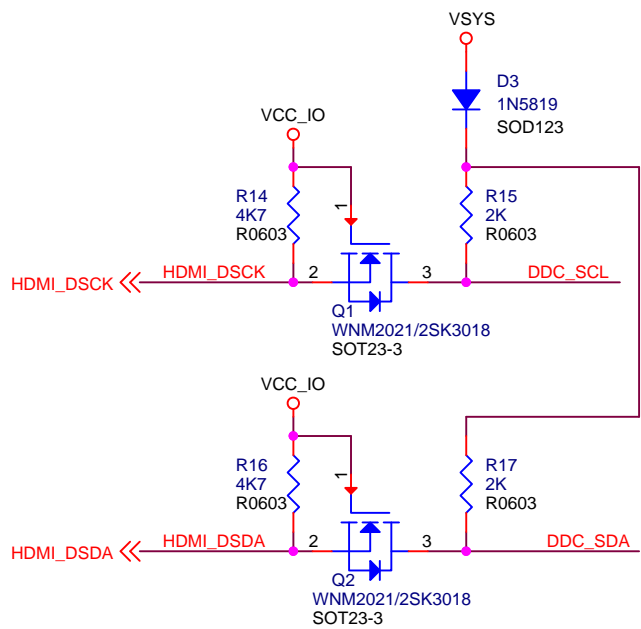
Micphone



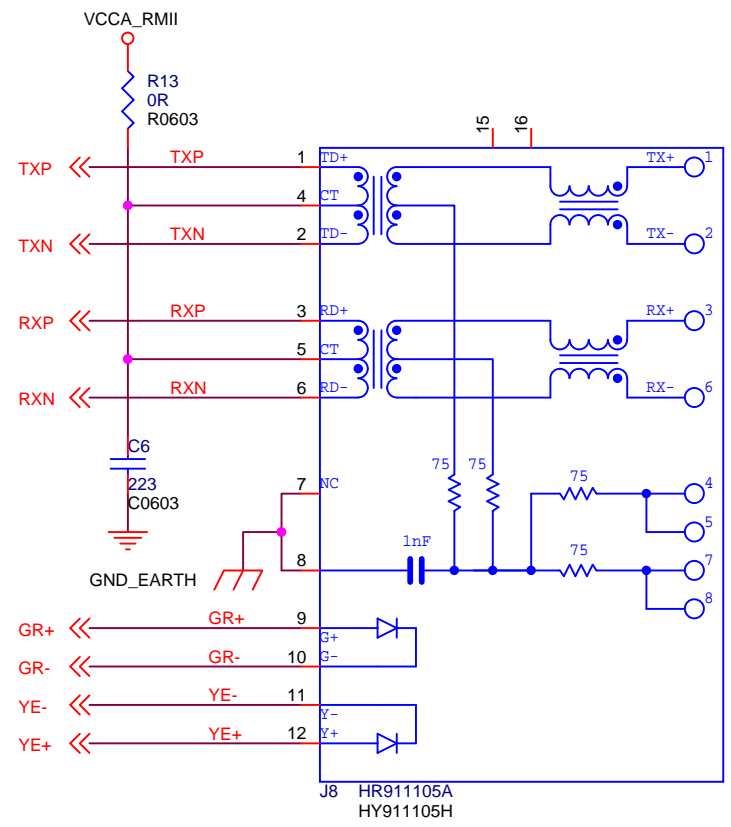
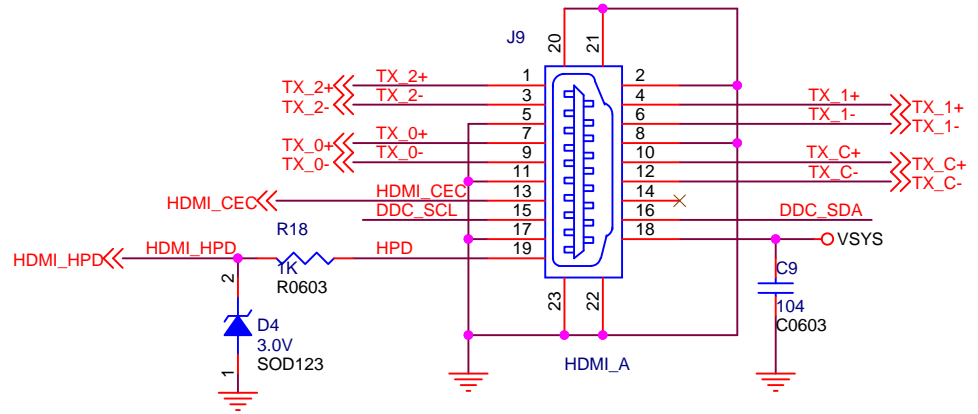
HeadPhone

Audio Codec address: 0x34

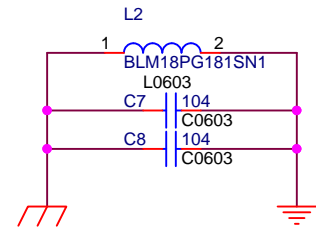
		HAOYU Electronics	
Title: SOM-RK3066			
File: AUDIO			REV:3.0
Create Date: Thursday, November 13, 2014		Page Num:5	
Modify Date: Monday, November 17, 2014		Page Total: 7	



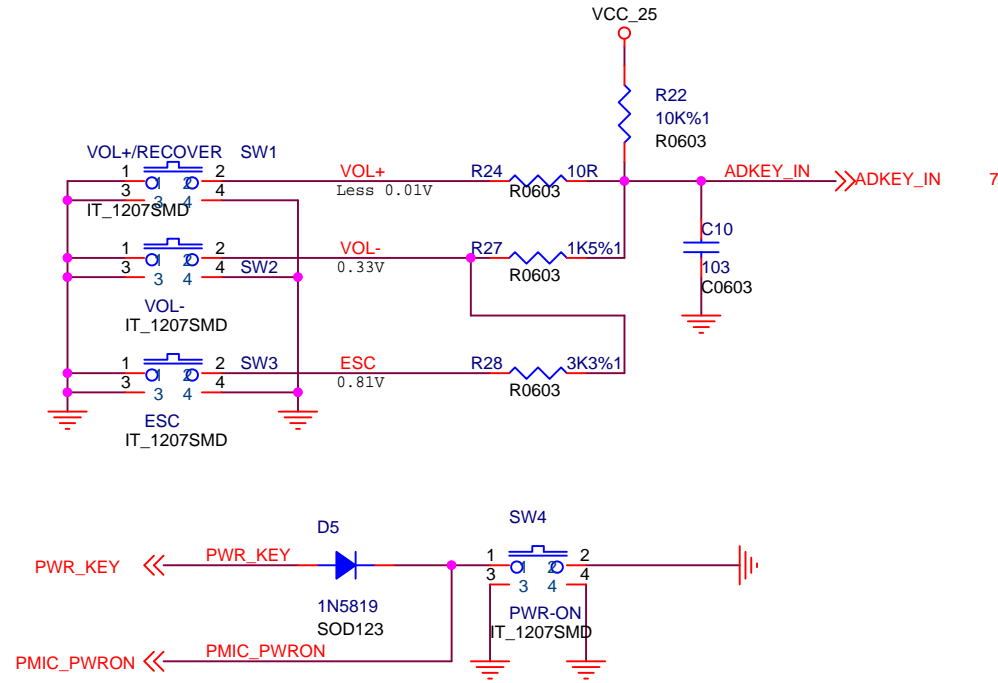
HDMI



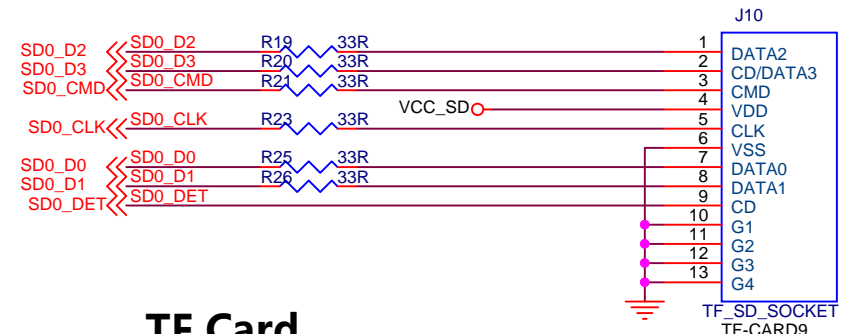
Ethernet



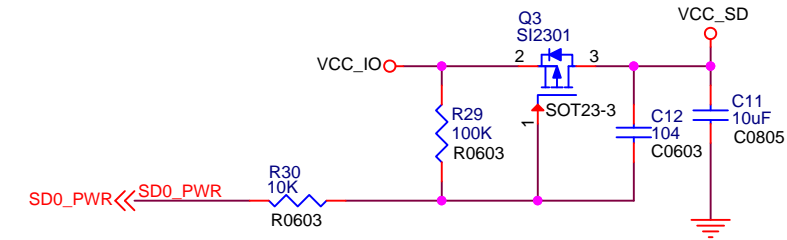
		HAOYU Electronics	
Title: SOM-RK3066			
File: HDMI-ETH			REV: 3.0
Create Date: Saturday, November 16, 2013		Page Num: 3	
Modify Date: Monday, November 17, 2014		Page Total: 7	



KEY

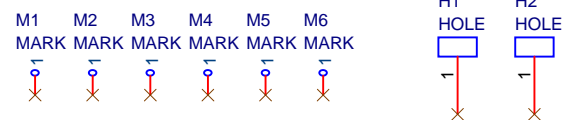


TF Card

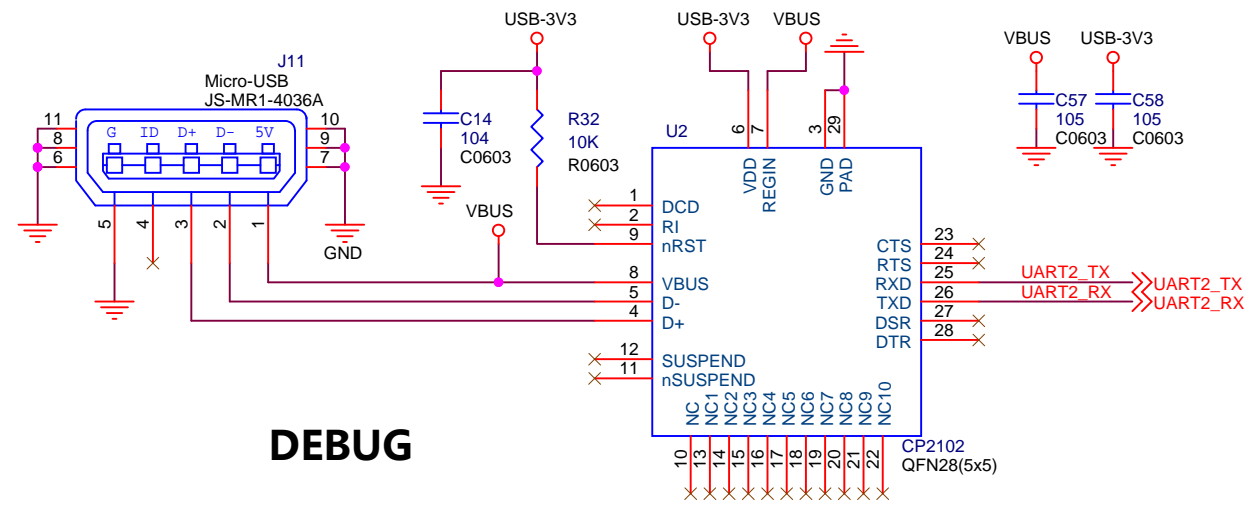
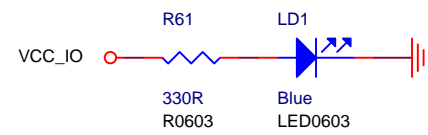


Mark

Hole

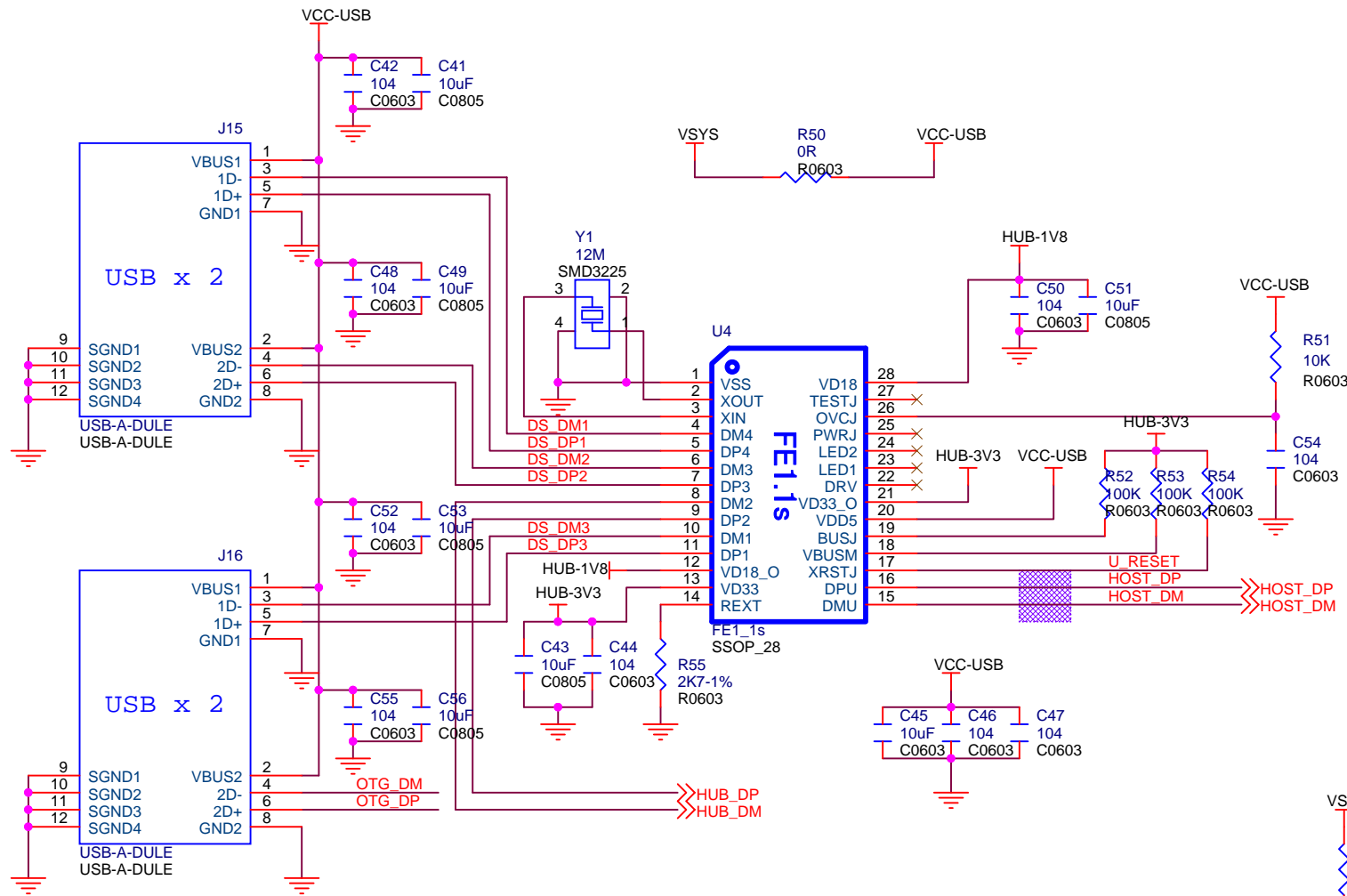


POWER Indicator

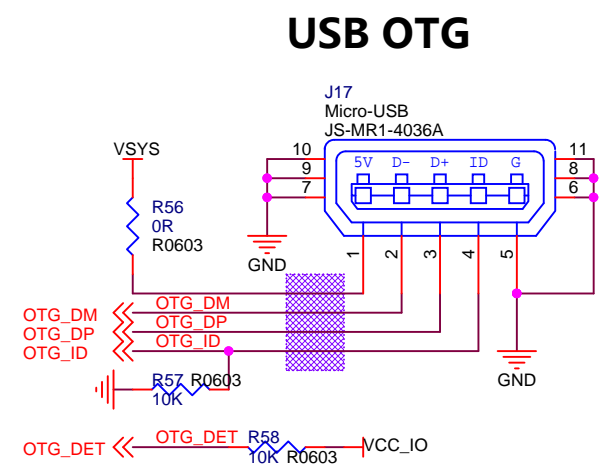


DEBUG

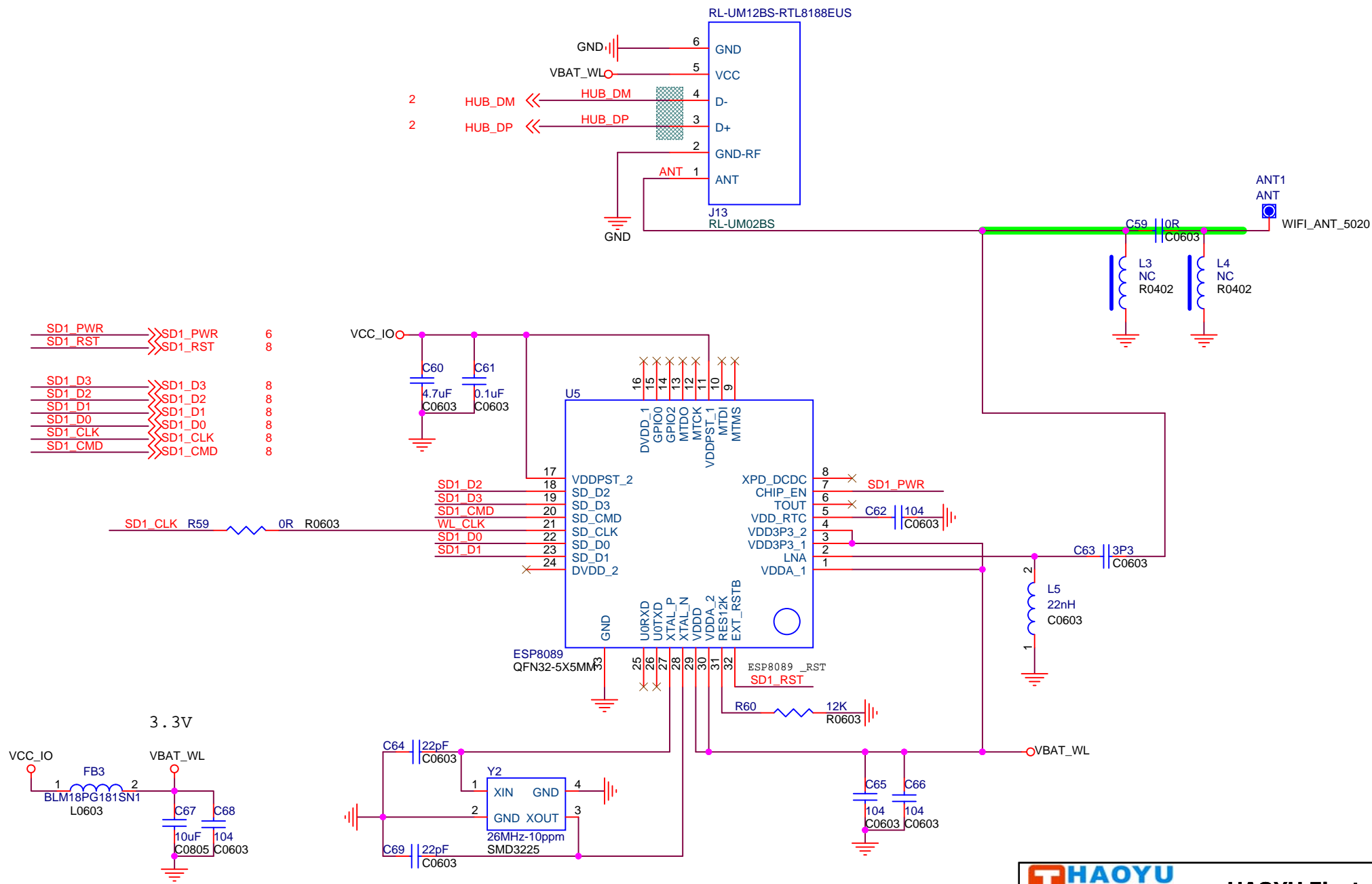
THAOYU ELECTRONICS		HAOYU Electronics	
Title: SOM-RK3066			
File: KEY-TF-IR-DEBUG			REV: 3.0
Create Date: Saturday, November 16, 2013		Page Num: 4	
Modify Date: Monday, November 17, 2014		Page Total: 7	



USB-HOST



USB OTG



SDIO WIFI

HAOYU Electronics	
Title: SOM-RK3066	
File: WIFI	
REV: 3.0	
Create Date: Thursday, November 13, 2014	Page Num: 7
Modify Date: Monday, November 17, 2014	Page Total: 7