

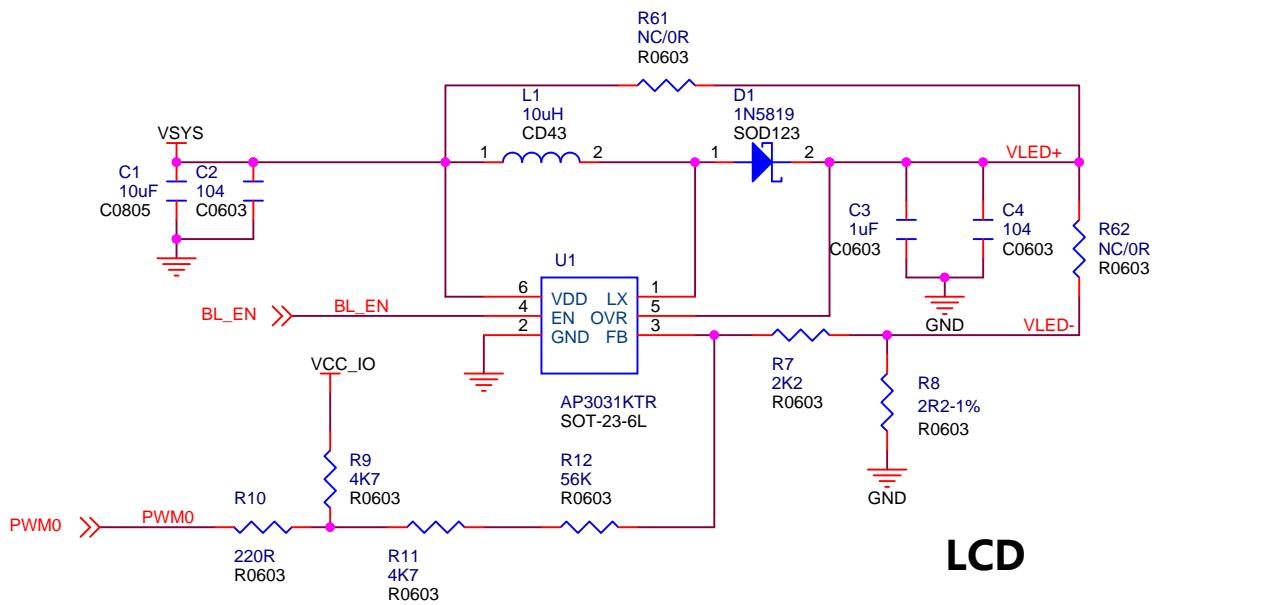
HAOYU ELECTRONICS **HAOYU Electronics**

Title: SOM-RK3066

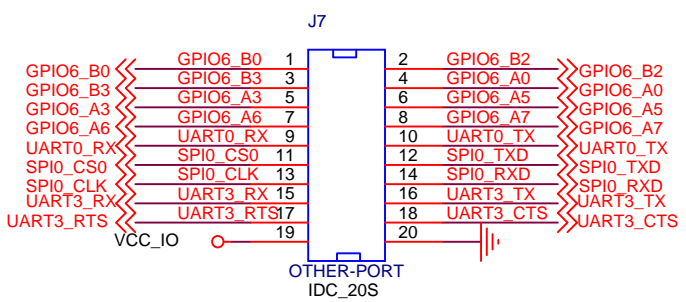
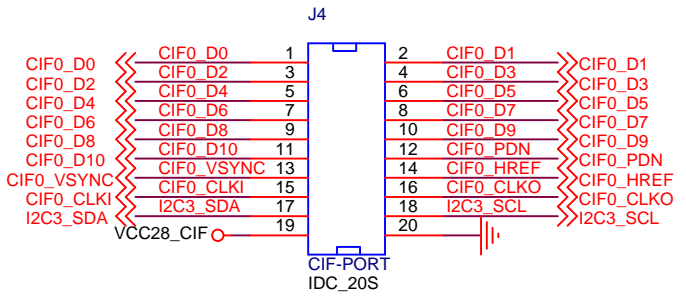
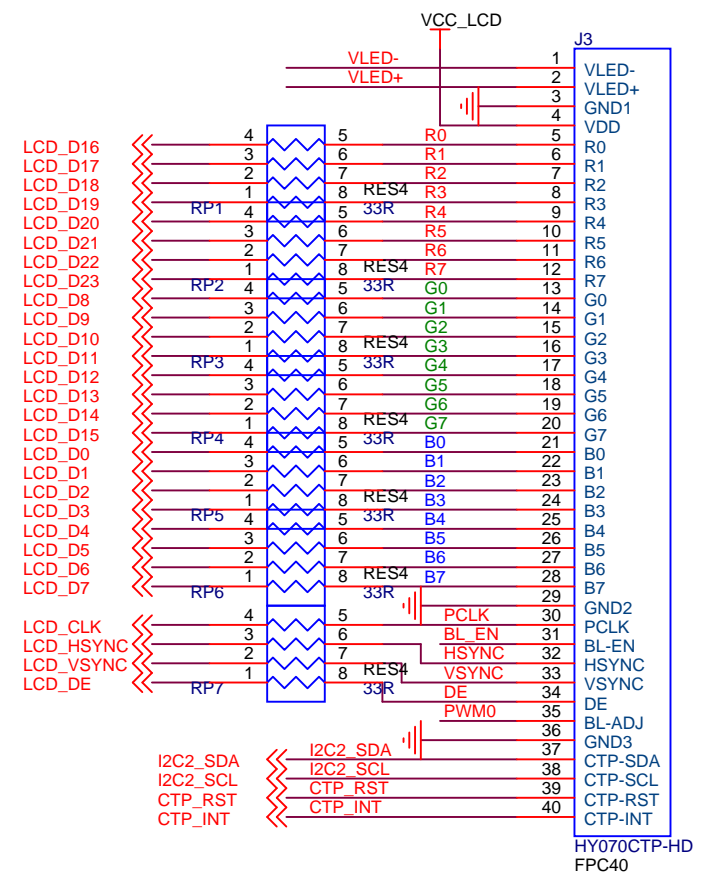
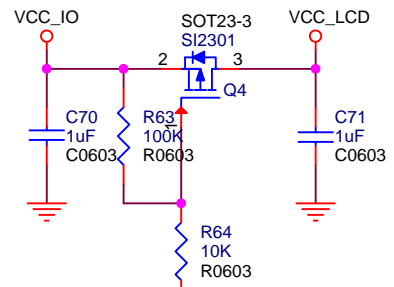
File: CM-RK3066 **REV: 3.0**

Create Date: Monday, October 28, 2013 **Page Num: 1**

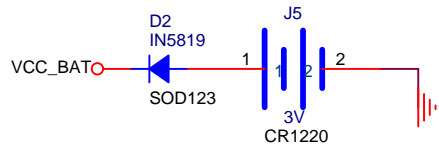
Modify Date: Thursday, November 27, 2014 **Page Total: 7**



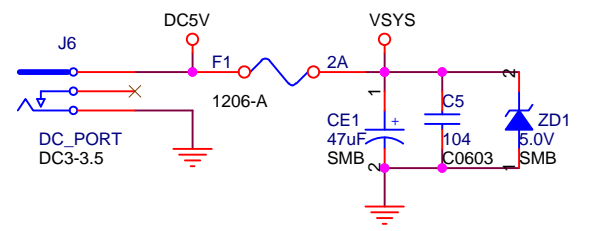
LCD



Ext Port

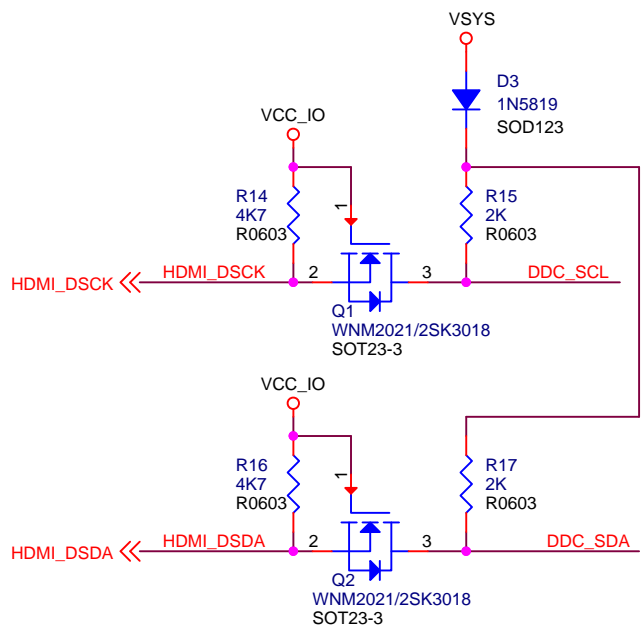


RTC BAT

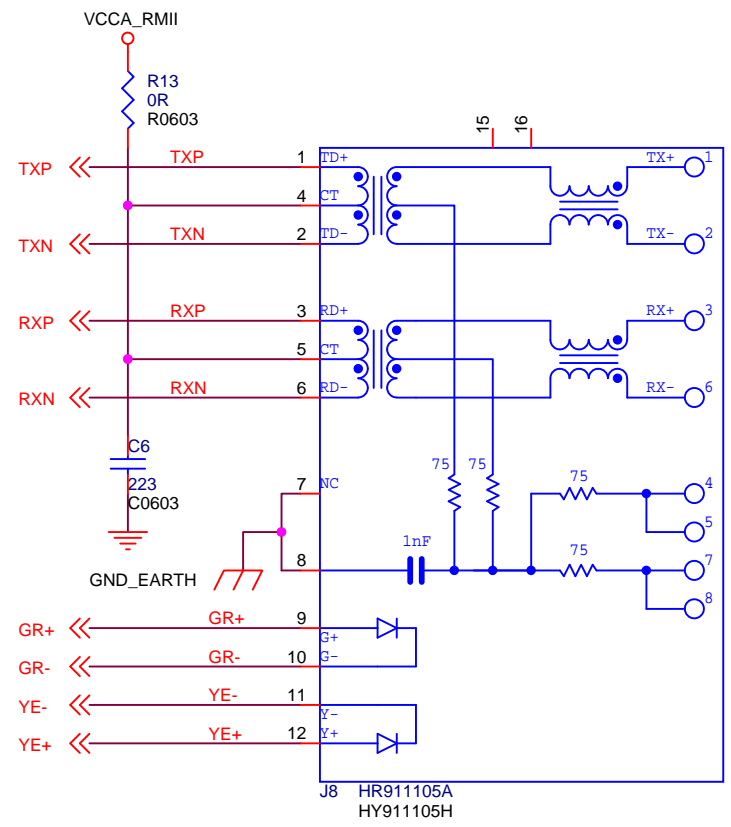
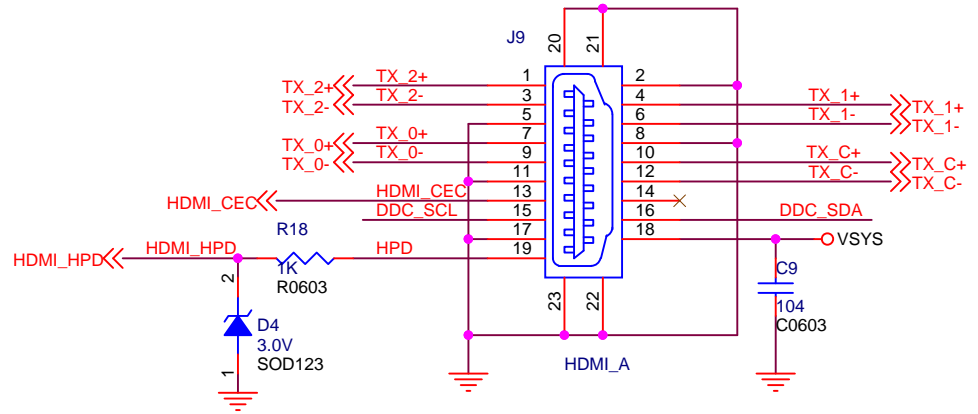


DC 5V/2A IN

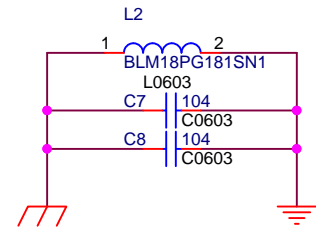
		HAOYU Electronics	
Title: SOM-RK3066			
File: LCD-PORT-POWER			REV: 3.0
Create Date: Saturday, November 16, 2013		Page Num: 2	
Modify Date: Thursday, November 27, 2014		Page Total: 7	



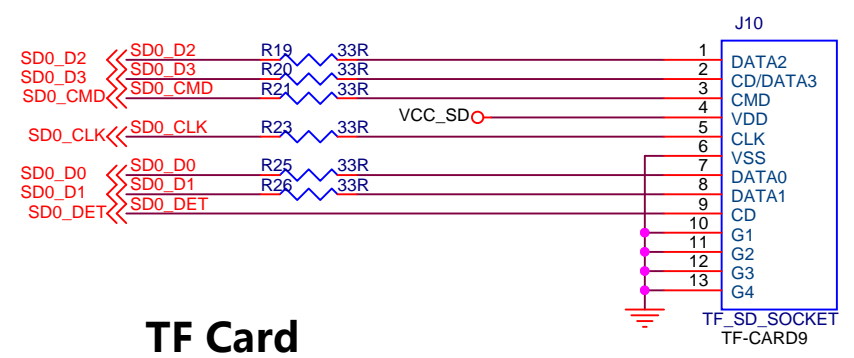
HDMI



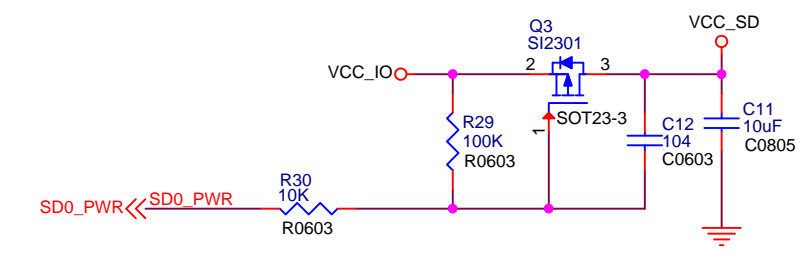
Ethernet



		HAOYU Electronics	
Title: SOM-RK3066			
File: HDMI-ETH			REV: 3.0
Create Date: Saturday, November 16, 2013		Page Num: 3	
Modify Date: Thursday, November 27, 2014		Page Total: 7	

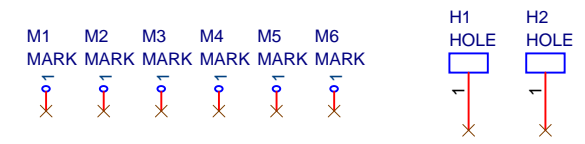


TF Card

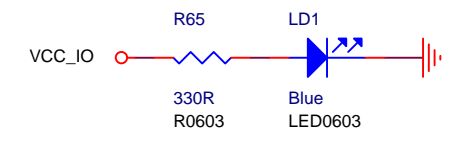


Mark

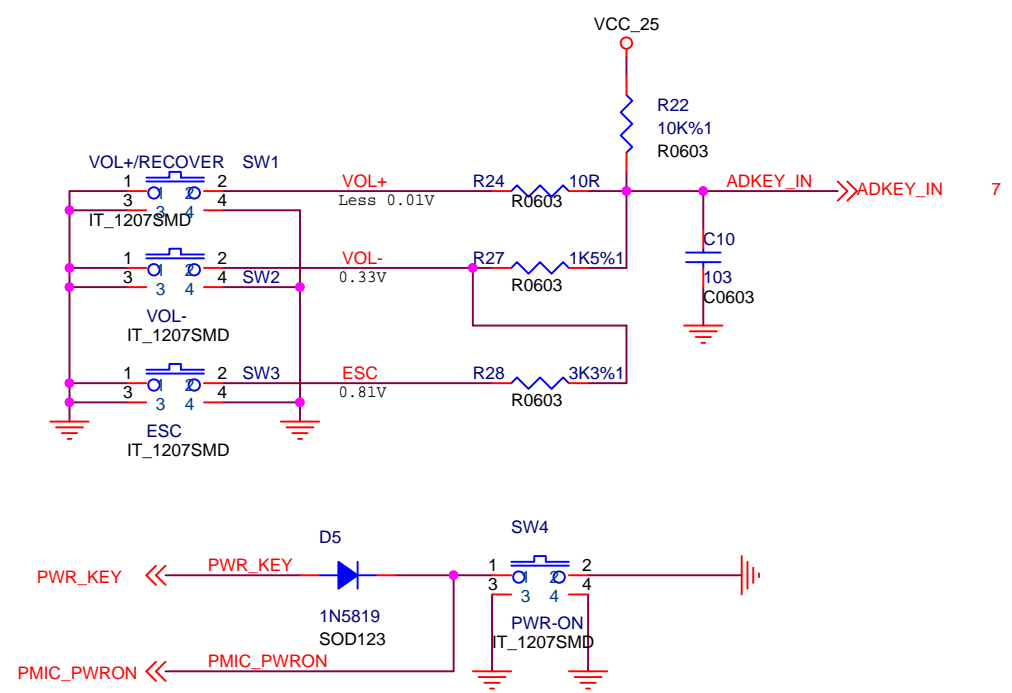
Hole



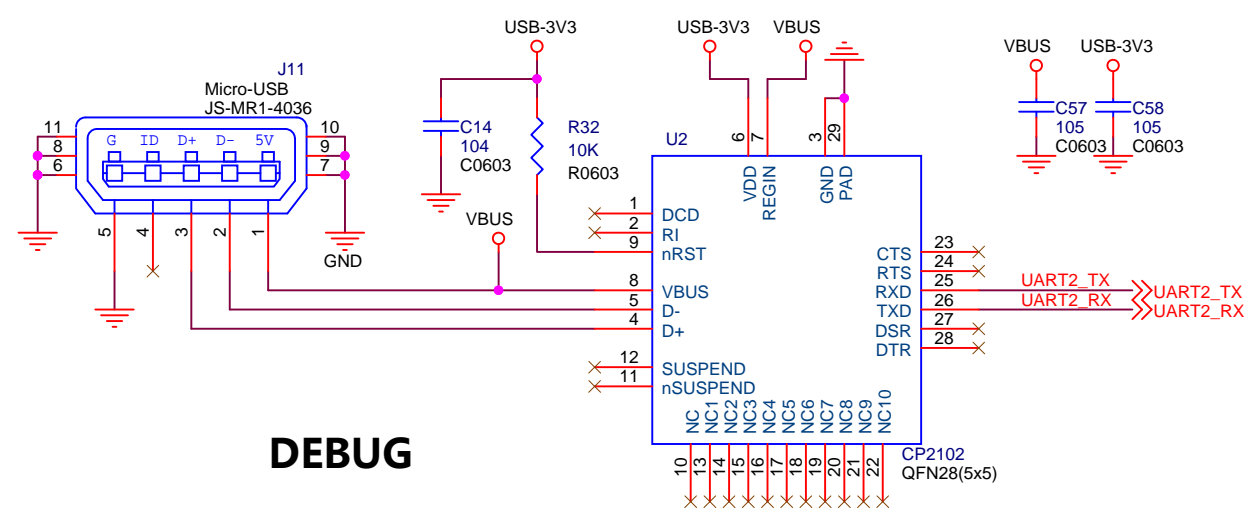
POWER Indicator



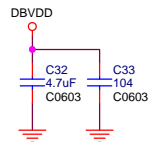
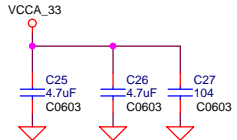
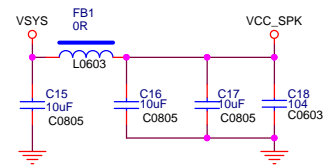
HAOYU ELECTRONICS		HAOYU Electronics	
Title: SOM-RK3066			
File: KEY-TF-IR-DEBUG			REV: 3.0
Create Date: Saturday, November 16, 2013		Page Num: 4	
Modify Date: Thursday, November 27, 2014		Page Total: 7	



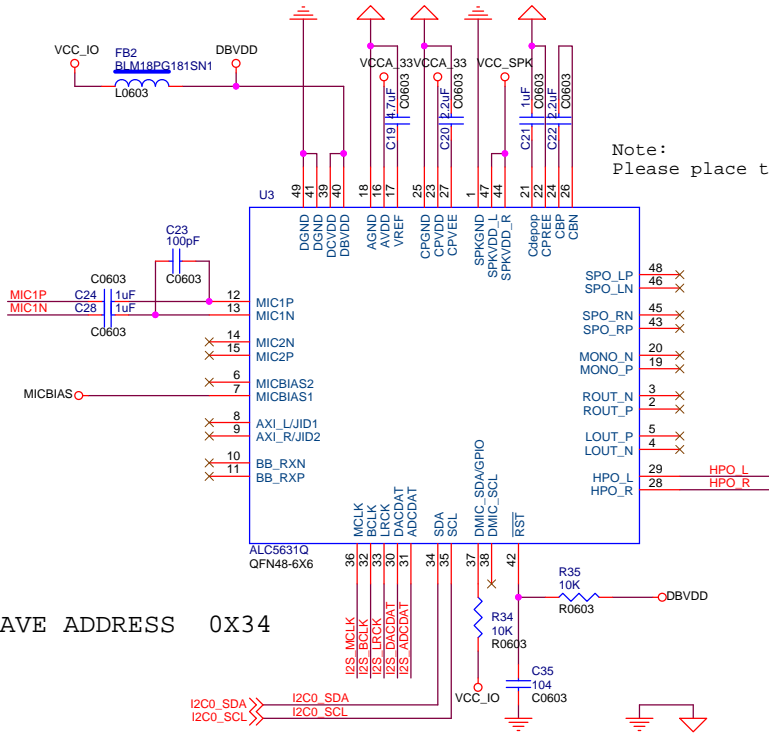
KEY



DEBUG



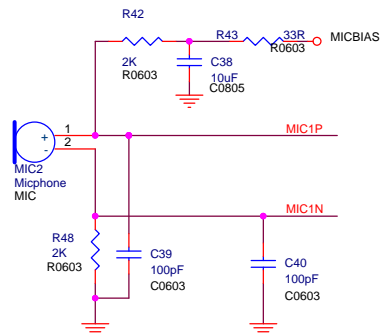
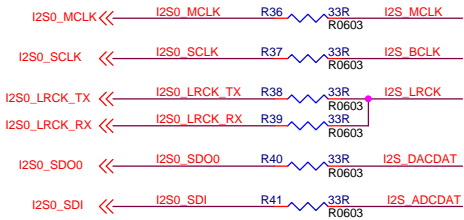
Audio Codec Power



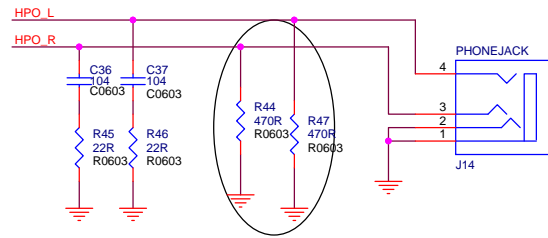
Note:
Please place these components near to CODEC.

SLAVE ADDRESS 0X34

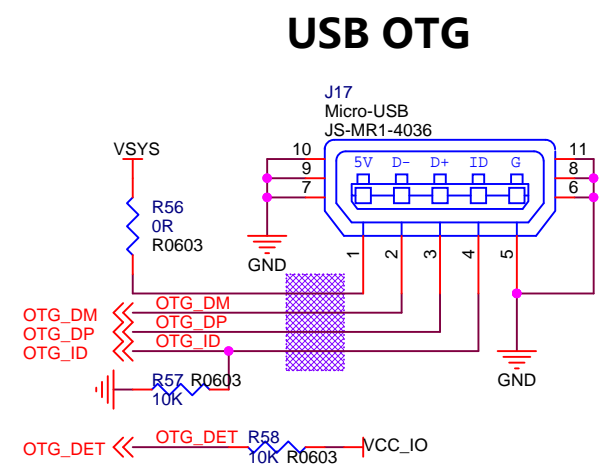
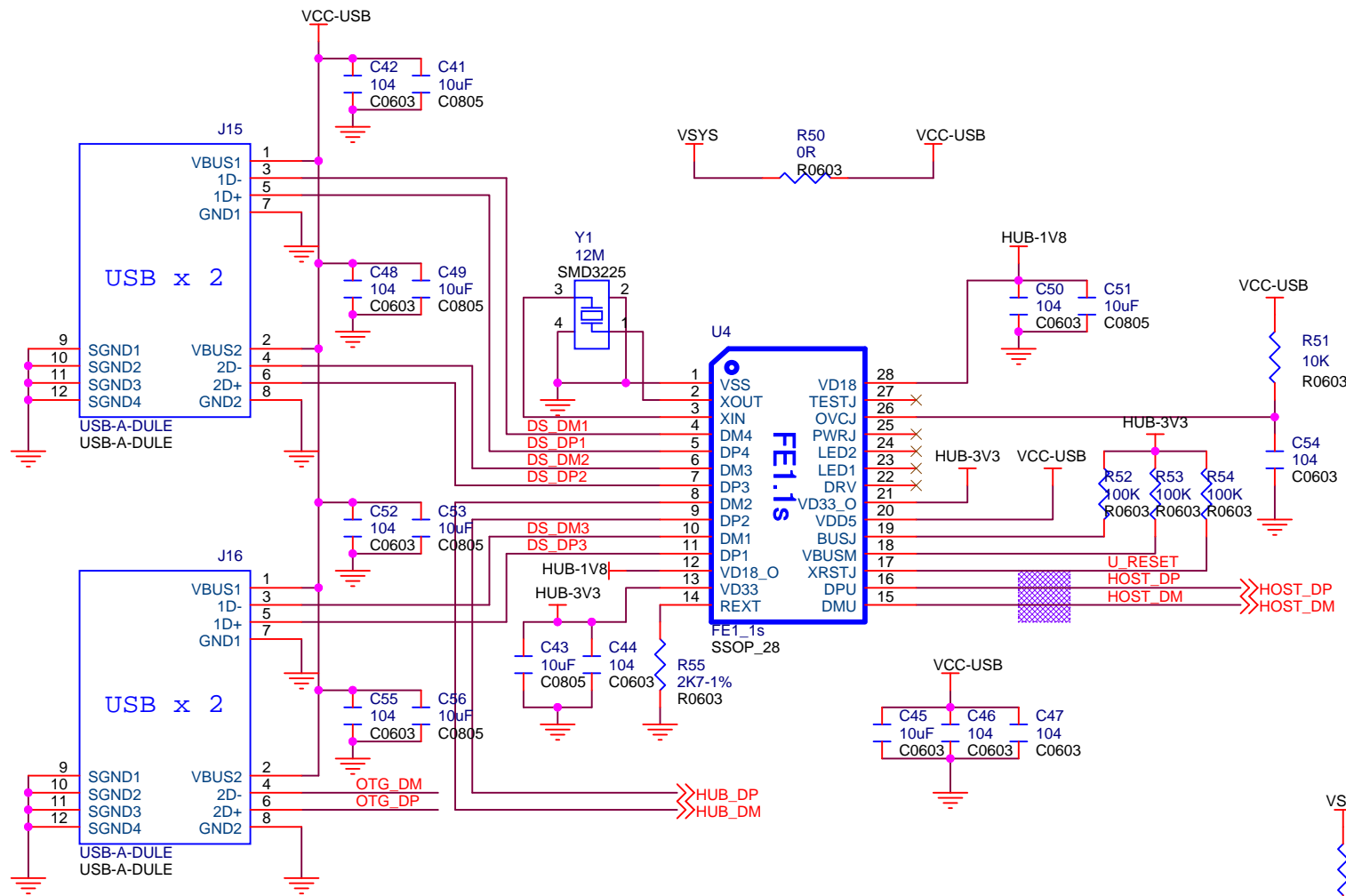
Audio Codec

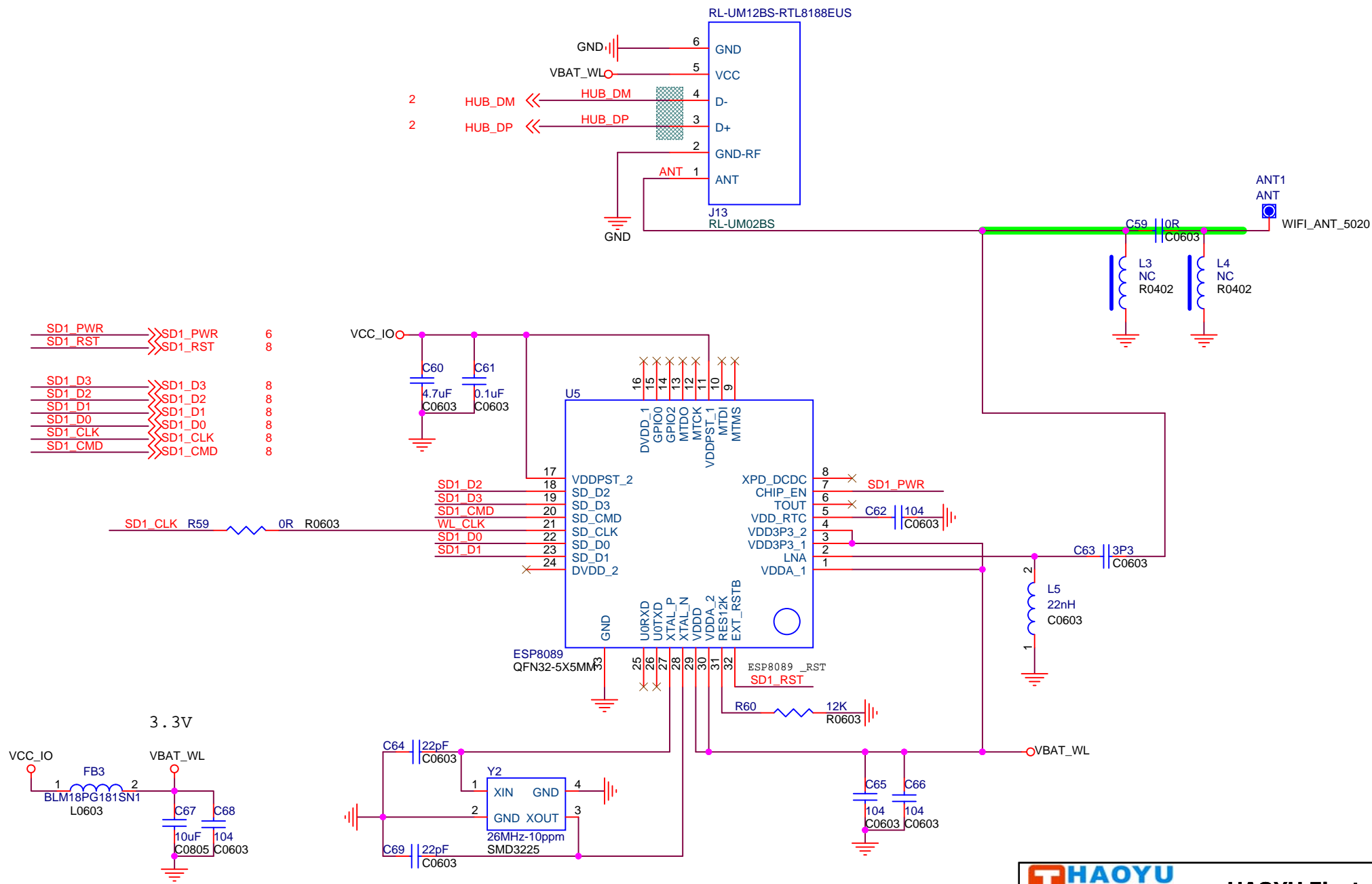


MIC Input




HeadPhone





SDIO WIFI

 HAOYU Electronics	
Title: SOM-RK3066	
File: WIFI	
Create Date: Thursday, November 13, 2014	Page Num: 7
Modify Date: Thursday, November 27, 2014	Page Total: 7

REV: 3.0