

Rockchip RK3562J Datasheet

Revision History

Date	Revision	Description
2025-09-30	2.2	Update the description of CAN
2025-06-20	2.1	Update the MCU subsystem
2024-11-04	2.0	Update the NPU information and electrical voltage parameters
2023-06-20	1.0	Initial release

Table of Content

Table of Content	2
Figure Index	3
Table Index.....	4
Warranty Disclaimer.....	5
Chapter 1 Introduction	5
1.1 Overview	6
1.2 Features	6
1.3 Block Diagram	14
Chapter 2 Package Information.....	15
2.1 Order Information	15
2.2 Top Marking	15
2.3 Package Dimension	15
2.4 MSL Information	17
2.5 Lead Finish/Ball Material Information	17
2.6 Pin Number List	18
Chapter 3 Electrical Specification	23
3.1 Absolute Ratings	23
3.2 Recommended Operating Conditions	23
3.3 DC Characteristics	25
3.4 Electrical Characteristics for General IO	26
3.5 Electrical Characteristics for PLL	26
3.6 Electrical Characteristics for USB 2.0 Interface	27
3.7 Electrical Characteristics for DDR IO.....	28
3.8 Electrical Characteristics for TSADC.....	28
3.9 Electrical Characteristics for MIPI DSI.....	28
3.10 Electrical Characteristics for MIPI CSI	29
3.11 Electrical Characteristics for Multi-PHY	29
Chapter 4 Thermal Management.....	30
4.1 Overview	30
4.2 Package Thermal Characteristics	30

Figure Index

Fig.1-1 Block Diagram	错误!未定义书签。
Fig.2-1 Package Definition	15
Fig.2-2 Package Top View	15
Fig.2-3 Package Bottom View	16
Fig.2-4 Package Side View	17
Fig.2-5 Package Dimension	17

Rockchip Confidential

Table Index

Table 2-1 Pin Number List Information18
 Table 3-1 Absolute Ratings23
 Table 3-2 Recommended Operating Conditions23
 Table 3-3 DC Characteristics25
 Table 3-4 Electrical Characteristics for Digital General IO26
 Table 3-5 Electrical Characteristics for Frac PLL26
 Table 3-6 Electrical Characteristics for Int-PLL27
 Table 3-7 Electrical Characteristics for USB 2.0 Interface27
 Table 3-8 Electrical Characteristics for DDR IO28
 Table 3-9 Electrical Characteristics for TSADC28
 Table 3-10 Electrical Characteristics for MIPI DSI28
 Table 3-11 Electrical Characteristics for MIPI CSI29
 Table 3-12 Electrical Characteristics for PCIe PHY29
 Table 4-1 Thermal Resistance Characteristics30

Warranty Disclaimer

Copyright © 2023 Rockchip Electronics Co., Ltd. All rights reserved.

No part of this document may be reproduced, transmitted or used in any form or by any means without the written prior consent of Rockchip Electronics Co., Ltd.

Trademark

Rockchip is a registered trademark of Rockchip Electronics Co., Ltd. in the People's Republic of China and other countries/areas. Other brands, product names mentioned in this document are the property of their respective owners.

Disclaimer

Rockchip Electronics Co., Ltd. ("Rockchip") may make changes to any information in this document at any time without any prior notice.

Information in this document is provided just as a reference or typical applications. All or part of product features described in this document may not be within the purchase scope or the usage scope, and may be subject to the third party licensing requirements. All statements, information in this document is provided "AS IS" without warranties of any kind, either express or implied. Actual performance of Rockchip products may vary in different applications. Third party licenses maybe required to use some features supported by Rockchip products. Customers shall be solely and exclusively responsible to obtain all appropriately required third party licenses prior to its such use. Should customers use the features supported by Rockchip products without any required third party license, customers shall indemnify and hold Rockchip and its subsidiaries, affiliates as well as distributors harmless against all claims, costs, damages, and expenses, and reasonable attorney fees arising out of any claim associated with such unauthorized use.

Rockchip products are not intended for use in military, airplane, medical devices, lifesaving or life sustaining applications ("Unintended Uses"). Customers shall take any and all actions to ensure using Rockchip products in a lawful manner and shall be liable for Unintended Uses.

Chapter 1 Introduction

1.1 Overview

RK3562J is a high-performance and low-power quad-core ARM Cortex-A cores with two ARM Cortex-M cores application processor designed for Industrial equipment.

RK3562J features several embedded hardware engines to optimize performance for high-end applications. It supports almost full-format H.264 decoding at 1080p@60fps, H.265 decoding at 4K@30fps, and H.264 encoding at 1080p@60fps. Additionally, it includes a high-quality JPEG encoder and decoder.

RK3562J includes an embedded 3D GPU that ensures complete compatibility with OpenGL ES 1.1/2.0/3.2, OpenCL 2.0, and Vulkan 1.1. Additionally, a special 2D hardware engine is included to maximize display performance and ensure smooth operation.

The built-in NPU supports hybrid operations with INT4/INT8/INT16/FP16 data types. Additionally, it boasts strong compatibility with a series of frameworks, such as TensorFlow, MXNet, PyTorch, and Caffe, enabling easy conversion of network models.

RK3562J has a high-performance external memory interface(DDR3/DDR3L/DDR4 /LPDDR3/LPDDR4/LPDDR4X) capable of sustaining demanding memory bandwidths.

1.2 Features

1.2.1 Microprocessor

- Quad-core ARM Cortex-A53 MPCore processor, high-performance, low-power and cached application processor
- Full implementation of the ARM architecture v8-A instruction set, ARM Neon Advanced SIMD (single instruction, multiple data) support for accelerated media and signal processing computation
- ARMv8 Cryptography Extensions
- In-order pipeline with symmetric dual-issue of most instructions.
- Integrated 32KB L1 instruction cache, 32KB L1 data cache with 4-way set associative
- Level 2 (L2) memory system providing cluster memory coherency, including an L2 cache.
- Include VFP v3 hardware to support single and double-precision add, subtract, divide, multiply and accumulate, and square root operations
- TrustZone technology support
- Separate power domains for CPU core system to support internal power switch and externally turn on/off based on different application scenarios
 - PD_A53_0: 1st Cortex-A53 + Neon + FPU + L1 I/D Cache
 - PD_A53_1: 2nd Cortex-A53 + Neon + FPU + L1 I/D Cache
 - PD_A53_2: 3rd Cortex-A53 + Neon + FPU + L1 I/D Cache
 - PD_A53_3: 4th Cortex-A53 + Neon + FPU + L1 I/D Cache
- One isolated voltage domain

1.2.2 MCU Subsystem

- Two MCUs
 - ◆ One BUS_M0 in VD_LOGIC integrate 16KB Cache
 - ◆ One PMU_M0 in VD_PMU
- Integrated Programmable Interrupt Controller (IPIC), all IRQ lines connected to GIC for CPU also connect to MCU in VD_LOGIC
- Integrated Debug Controller with JTAG interface

1.2.3 Neural Process Unit

- Support integer 8, integer 16, float point 16, bfloat point 16 and tf32 neural network operation
- Support deep-learning frameworks: TensorFlow, TF-lite, Pytorch, Caffe, ONNX, MXNet,

Keras, Darknet

- One isolated voltage domain

1.2.4 Memory Organization

- Internal on-chip memory
 - BootROM
 - ◆ Support system boot from the following device:
 - SPI Flash interface
 - eMMC interface
 - SDMMC interface
 - ◆ Support system code download by the following interface:
 - USB OTG interface (Device mode)
 - Internal SRAM
- External off-chip memory
 - Dynamic Memory Interface
 - ◆ Compatible with JEDEC standards①DDR3-2133/DDR3L-2133/LPDDR3-2133/DDR4-2666/LPDDR4-2666/LPDDR4X-2666
 - ◆ Support 32bits data width, 2 ranks (chip selects), total addressing space is 8GB(max) for DDR3/DDR3L/DDR4
 - ◆ Support 32bits data width, 4 ranks (chip selects), total addressing space is 8GB(max) for LPDDR3/LPDDR4/LPDDR4X
 - ◆ Low power modes, such as power-down and self-refresh for SDRAM
 - ◆ Compensation for board delays and variable latencies through programmable pipelines
 - ◆ Programmable output and ODT impedance with dynamic PVT compensation
 - eMMC Interface
 - ◆ Compatible with standard iNAND interface
 - ◆ Compatible with eMMC specification 4.41, 4.51, 5.0 and 5.1
 - ◆ Support three data bus width: 1bit, 4bits or 8bits
 - ◆ Support up to HS200 and HS400;
 - ◆ Support CMD Queue
 - SD/MMC Interface
 - ◆ Compatible with SD3.0, MMC ver4.51
 - ◆ Data bus width is 4bits
 - Flexible Serial Flash Interface(FSPI)
 - ◆ Support transfer data from/to serial flash device
 - ◆ Support 1bit/2bit/4bit data bus width
 - ◆ Support 2 chip select

1.2.5 System Component

- CRU (clock & reset unit)
 - Support total 6 PLLs to generate all clocks
 - One oscillator with 24MHz clock input
 - Support clock gating control for individual components
 - Support global soft-reset control for whole chip, also individual soft-reset for each component
- PMU(power management unit)
 - Multiple configurable work modes to save power by different frequency or automatic clock gating control or power domain on/off control
 - Lots of wakeup sources in different modes
 - Support 5 separate voltage domains
 - Support 13 separate power domains, which can be power up/down by software based on different application scenes
- Timer
 - Six 64bits timers with interrupt-based operation for non-secure application
 - Two 64bits timers with interrupt-based operation for secure application
 - Support two operation modes: free-running and user-defined count
 - Support timer work state checkable
- Watchdog

- 32bits watchdog counter
- Counter counts down from a preset value to 0 to indicate the occurrence of a timeout
- WDT can perform two types of operations when timeout occurs:
 - ◆ Generate a system reset
 - ◆ First generate an interrupt and if this is not cleared by the service routine by the time a second timeout occurs then generate a system reset
- Totally 3 Watchdog for CPU and MCU
- Interrupt Controller
 - Support 3 PPI interrupt sources and 256 SPI interrupt sources input from different components
 - Support 16 software-triggered interrupts
 - Two interrupt outputs (nFIQ and nIRQ) separately for each Cortex-A53, both are low-level sensitive
 - Support different interrupt priority for each interrupt source, and they are always software-programmable
- Mailbox
 - Two Mailbox in SoC to service Cortex-A53 and MCU communication
 - Support four mailbox elements per mailbox, each element includes one data word, one command word register and one flag bit that can represent one interrupt
 - Provide 32 lock registers for software to use to indicate whether mailbox is occupied
- DMAC
 - Micro-code programming based DMA
 - Linked list DMA function is supported to complete scatter-gather transfer
 - Support data transfer types with memory-to-memory, memory-to-peripheral, peripheral-to-memory
 - One embedded DMA controller for system
 - DMAC features:
 - ◆ 8 channels totally
 - ◆ 32 hardware request from peripherals
 - ◆ 2 interrupt outputs
- Secure System
 - Embedded two Cipher engine
 - ◆ Support Link List Item (LLI) DMA transfer
 - ◆ Support SHA-1, SHA-256/224, MD5 with hardware padding
 - ◆ Support HMAC of SHA-1, SHA-256, MD5 with hardware padding
 - ◆ Support AES-128, AES-192, AES-256 cipher
 - ◆ Support DES & TDES cipher
 - ◆ Support AES ECB/CBC/OFB/CFB/CTR/CTS/XTS/CCM/GCM/CBC-MAC/CMAC mode
 - ◆ Support DES/TDES ECB/CBC/OFB/CFB mode
 - ◆ Support up to 4096 bits PKA mathematical operations for RSA
 - ◆ Support generating random numbers
 - Support keyladder to guarantee key secure
 - Support data scrambling for all DDR types
 - Support secure OTP
 - Support secure debug
 - Support secure OS
 - Except CPU, the other masters in the SoC can also support security and non-security mode by software-programmable
 - Some slave components in SoC can only be addressed by security master and the other slave components can be addressed by security master or non-security master by software-programmable
 - System SRAM, part of space is addressed only in security mode
 - External DDR space can be divided into 16 parts; each part can be software-programmable to be enabled by each master

1.2.6 Video CODEC

- Video Decoder
 - H.265 HEVC/MVC Main Profile yuv420@L5.0 up to 4096x2304@30fps
 - H.264 AVC/MVC Main Profile yuv400/yuv420/yuv422/@L5.0 up to 1920x1080@60fps
 - VP9 Profile0 yuv420@L5.0 up to 4096x2304@30fps
- Video Encoder
 - H.264 High Profile level4.2, up to 1920x1080@60fps
 - Support YUV/RGB video source with rotation and mirror

1.2.7 JPEG CODEC

- JPEG decoder
 - 48x48 to 65536x65536(4295Mpixels), Step size 8 pixels
 - Baseline interleaved, and support DRI decode
- JPEG encoder
 - Baseline Non-progressive
 - up to 8192x8192
 - up to 90 million pixels per second

1.2.8 Graphics Engine

- 3D Graphics Engine:
 - Mali-G52 1-Core-2EE
 - Support OpenGL ES 1.1, 2.0, and 3.2
 - Support Vulkan 1.0 and 1.1
 - Support OpenCL 2.0 Full Profile
 - Support 1600Mpix/s fill rate when 800MHz clock frequency
 - Support 38.4 FP32 GFLOPs when 800MHz clock frequency
- 2D Graphics Engine:
 - Data format
 - ◆ Support input of ARGB/RGB888/RGB565/RGB4444/RGB5551/YUV420/YUV422/YUYV;
 - ◆ Support input of YUV422SP10bit/YUV420SP10bit(YUV-8bits out)
 - ◆ Support output of ARGB/RGB888/RGB565/RGB4444/RGB5551/YUV420/YUV422/YUYV;
 - ◆ Pixel Format conversion, BT.601/BT.709
 - ◆ Dither operation, Y dither update;
 - ◆ Max resolution: 8192x8192 source, 4096x4096 destination
 - Scaling
 - ◆ Down-scaling: Average filter
 - ◆ Up-scaling: Bi-cubic filter(source>2048 would use Bi-linear)
 - ◆ Arbitrary non-integer scaling ratio, from 1/16 to 16
 - Rotation
 - ◆ 0, 90, 180, 270 degree rotation
 - ◆ x-mirror, y-mirror& rotation operation
 - BitBLT
 - ◆ Block transfer
 - ◆ Color palette/Color fill, support with alpha
 - ◆ Transparency mode (color keying/stencil test, specified value/value range)
 - ◆ Two source BitBLT:
 - ◆ A+B=B only BitBLT, A support rotate&scale when B fixed
 - ◆ A+B=C second source (B) has same attribute with (C) plus rotation function
 - Alpha Blending
 - ◆ New comprehensive per-pixel alpha(color/alpha channel separately)
 - ◆ Fading
 - ◆ SRC1(R2Y)&&SRC0(YUV)—alpha->DST(YUV)
 - OSD Automatic Inversion
 - ◆ Supports OSD sources in ARGB8888/ARGB1555/ARGB444/ARGB2BPP format
 - ◆ Support SRC0 and OSD overlay

1.2.9 Video input interface

- Interface and video input processor
 - Support MIPI CSI RX interface
 - Support VICAP block(Video Input Processor)
 - ◆ Support video data from MIPI CSI
 - Support ISP block(Image Signal Processor)
- MIPI CSI RX Interface
 - Compatible with the MIPI Alliance Interface specification v1.2
 - Up to 4 data lanes, 2.5Gbps maximum data rate per lane
 - Support MIPI-HS, MIPI-LP mode
 - Support two mode
 - ◆ One interface with 1 clock lane and 4 data lanes
 - ◆ Two interface, each with 1 clock lane and 2 data lanes
- VICAP
 - Support receiving four interfaces of MIPI CSI/DSI, up to four IDs for each interface
 - Support VC/DT configurable for each ID
 - Support five CSI data formats: RAW8/10/12/14, YUV422
 - Support YUYV input sequence configurable and YUYV sequence reorder
 - Support three modes of MIPI CSI HDR: virtual channel mode, identification code mode, line counter mode
 - Support one DSI data formats: RGB888, support video mode/command mode
 - Support reducing frame rate
 - Support window cropping
 - Support sending RAW data directly to ISP
 - Support 8/16/32 times down-sampling for RAW data
 - Support virtual stride when write to DDR
 - Support NV16/NV12/YUV400/YUYV output format for YUV data
 - Support compact/non-compact output format for RAW data
- ISP
 - VICAP input: RX raw8/raw10/raw12
 - 3A: Include Auto Enhance (AE)/Histogram, Auto Focus (AF), and Auto White Balance (AWB) statistics output
 - BLC: Black Level Correction
 - DPCC: Static/Dynamic Defect Pixel Cluster Correction
 - PDAF: Phase Detection Auto Focus
 - LSC: Lens Shading Correction
 - Bayer-3DNR: Temporal Bayer-raw Noise Reduction
 - HDR-MGE: 2-Frame Merge into High-Dynamic Range
 - HDR-DRC: HDR Dynamic Range Compression, Tone mapping
 - DeBayer: Advanced Adaptive Demosaic
 - CCM/CSM: Color Correction Matrix, RGB2YUV, etc.
 - Gamma: Gamma out correction
 - Dehaze/Enhance: Automatic Dehaze and effect enhancement
 - 3DLUT: 3D-LUT Color Palette for Customer
 - LDCH: Lens Distortion Correction only in the Horizontal direction
 - YUV-2DNR: Spatial YUV Noise Reduction
 - Sharp: Image sharpening and boundary filtering
 - Gain: Image local gain
 - Multi-sensor reuse ISP, 4 sensors for maximum
 - Maximum resolution is 4224x3136, throughput 13M @30fps

1.2.10 Display interface

- Display interface
 - Support RGB Parallel Display interface
 - Support BT656/BT1120 interface
 - Support MIPI_DSI interface
 - Support LVDS interface
- RGB video output interface

- Support up to 2048x1080@60Hz
- Support RGB(up to 8bit) format
- Up to 150MHz data rate
- BT.656/BT.1120 video output interface
 - BT1120 up to 1080 P/I output
 - BT656 up to 576 P/I output
- MIPI DSI TX interface
 - Compatible with MIPI Alliance Interface specification v1.2
 - Support 1 channel DSI
 - Support 4 data lanes per channel
 - Support 1.2Gbps maximum data rate per lane
 - Up to 2048x1080@60Hz display output
 - Support RGB(up to 8bit) format
- LVDS interface
 - Compliant with the TIA/EIA-644-A LVDS specification
 - Support RGB888 and RGB666 input for LVDS interface
 - Support VESA/JEIDA LVDS data format transfer
 - Up to 800x1280@60Hz display output

1.2.11 Video Output Processor

- Video input
 - Support 4 Esmart layer
 - ◆ Support up to 3840x2160 input resolution
 - ◆ Support RGB/YUV/YUYV format
 - ◆ Support scale up/down ratio 8~1/8
 - ◆ Support 4 regions
- Overlay
 - Support MAX 4 layers overlay
 - Support RGB/YUV domain overlay
- Post process
 - 3D-LUT/P2I/CSC/BCSH/DITHER/GAMMA/COLORBAR
- Write back
 - Format: XRGB8888/RGB888/RGB565/YUV420
 - Max resolution: 1920x1080
- Video output
 - Video output, up to 2048x1080@60Hz resolution

1.2.12 Audio Interface

- SAI(Serial Audio Interface)
 - Support audio protocol: I2S, PCM, TDM
 - Support 3 SAI controllers
 - ◆ Up to 4 lanes TX and 4 lanes RX path for SAI0/SAI1
 - ◆ Up to 1 lanes TX and 1 lanes RX path for SAI2
 - Audio resolution from 8bits to 32bits
 - Sample rate up to 192KHz
 - Provides master and slave work mode, software configurable
 - Support 3 I2S formats (normal, left-justified, right-justified)
 - Support 4 PCM formats (early, late1, late2, late3)
 - Support TDM normal, 1/2 cycle left shift, 1 cycle left shift, 2 cycle left shift, right shift mode serial audio data transfer
 - I2S, PCM and TDM mode cannot be used at the same time
- SPDIF
 - Support two 16-bit audio data store together in one 32-bit wide location
 - Support biphase format stereo audio data output
 - Support 16 to 31 bit audio data left or right justified in 32-bit wide sample data buffer
 - Support 16, 20, 24 bits audio data transfer in linear PCM mode
 - Support non-linear PCM transfer
- PDM

- Up to 8 channels
- Audio resolution from 16bits to 24bits
- Sample rate up to 192KHz
- Support PDM master receive mode
- Audio DSM
 - Support 2-channel digital DAC
 - Support I2S/PCM interface
 - Support I2S/PCM master and slave mode
 - Support 2-channel audio receiving in I2S mode
 - Support 2-channel audio receiving in PCM mode
 - Support I2S normal, left and right justified mode serial audio data transfer
 - Support PCM early, late1, late2, late3 mode serial audio data transfer
 - Support MSB or LSB first serial audio data transfer
 - Support configurable SCLK and LRCK polarity
 - Support 16 bit sample resolution
 - Support programmable left and right channel exchangeable in I2S mode and PCM mode
 - Support three modes of mixing for every digital DAC channel
 - Support volume control
 - Support programmable negative and positive volume gain

1.2.13 Connectivity

- SDIO interface
 - Compatible with SDIO3.0 protocol
 - 4bits data bus widths
- MAC 10/100 Ethernet Controller
 - Support 10/100 Mbps data transfer rates with the RMII interfaces
 - Support both full-duplex and half-duplex operation
- GMAC 10/100/1000 Ethernet Controller
 - Support 10/100/1000 Mbps data transfer rates with the RGMII interfaces
 - Support 10/100 Mbps data transfer rates with the RMII interfaces
 - Support both full-duplex and half-duplex operation
- USB 2.0 Host
 - Support one USB2.0 Host
 - Compatible with USB 2.0 specification
 - Supports high-speed(480Mbps), full-speed(12Mbps) and low-speed(1.5Mbps) mode
 - Support Enhanced Host Controller Interface Specification (EHCI), Revision 1.0
 - Support Open Host Controller Interface Specification (OHCI), Revision 1.0a
- Multi-PHY Interface
 - Support multi-PHY with one PCIe2.1 and one USB3.0 controller
 - support one of the following interfaces
 - ◆ USB3.0 Host
 - ◆ PCIe2.1
 - USB 3.0 Dual-Role Device (DRD) Controller
 - ◆ Static USB3.0 Device
 - ◆ Static USB3.0 xHCI host
 - ◆ USB3.0/USB2.0 OTG A device and B device basing on ID
 - PCIe2.1 interface
 - ◆ Compatible with PCI Express Base Specification Revision 2.1
 - ◆ Support one lane
 - ◆ Support Root Complex(RC) mode only
 - ◆ Support 2.5Gbps and 5.0Gbps serial data transmission rate per lane per direction
- SPI interface
 - Support 3 SPI Controller
 - Support two chip-select output
 - Support serial-master and serial-slave mode, software-configurable
- I2C interface

- Support 6 I2C Master
- Support 7bits and 10bits address mode
- Software programmable clock frequency
- Data on the I2C-bus can be transferred at rates of up to 100Kbit/s in the Standard-mode, up to 400Kbit/s in the Fast-mode.
- UART Controller
 - Support 10 UART interfaces
 - Embedded two 64-byte FIFO for TX and RX operation respectively
 - Support 5bits,6bits,7bits,8bits serial data transmit or receive
 - Standard asynchronous communication bits such as start, stop and parity
 - Support different input clock for UART operation to get up to 4Mbps baud rate
 - Support auto flow control mode except for UART0
- PWM
 - Support 16 on-chip PWMs(PWM0~PWM15) with interrupt-based operation
 - Programmable pre-scaled operation to bus clock and then further scaled
 - Embedded 32bits timer/counter facility
 - Support capture mode
 - Support continuous mode or one-shot mode
 - Provides reference mode and output various duty-cycle waveform
 - Optimized for IR application for PWM3, PWM7, PWM11 and PWM15
- CAN Bus
 - Support 2 CAN buses
 - Support ISO 11898-1-2003
 - Support transmit or receive CAN standard frame
 - Support transmit or receive CAN extended frame
 - Support transmit or receive data frame, remote frame, overload frame, error frame and frame interval
 - Compatible with ISO 11898-1-2003 specification
 - Support up to 8 byte data frame
 - Data rate up to 1Mbps

1.2.14 Others

- Multiple group of GPIO
 - All of GPIOs can be used to generate interrupt to CPU
 - Support level trigger and edge trigger interrupt
 - Support configurable polarity of level trigger interrupt
 - Support configurable rising edge, falling edge and both edge trigger interrupt
 - Support configurable pull direction(a weak pull-up and a weak pull-down)
 - Support configurable drive strength
- Temperature Sensor(TSADC)
 - Up to 50KS/s sampling rate
 - Support two temperature sensor
 - -20~120°C temperature range and 5°C temperature resolution
- Successive Approximation ADC (SARADC)
 - 10bits resolution
 - Up to 1MS/s sampling rate
 - 16 single-ended input channels
- OTP
 - Support 8K bits Size, 7K bits for secure application
 - Support Program/Read/Idle mode
- Package Type
 - FCCSP478L (body: 13.9mm x 13.9mm; ball size: 0.3mm; ball pitch: 0.5mm&0.65mm)

Notes: ① DDR3/DDR3L/DDR4/LPDDR3/LPDDR4/LPDDR4X are not used simultaneously

1.3 Block Diagram

The following figure shows the basic block diagram.

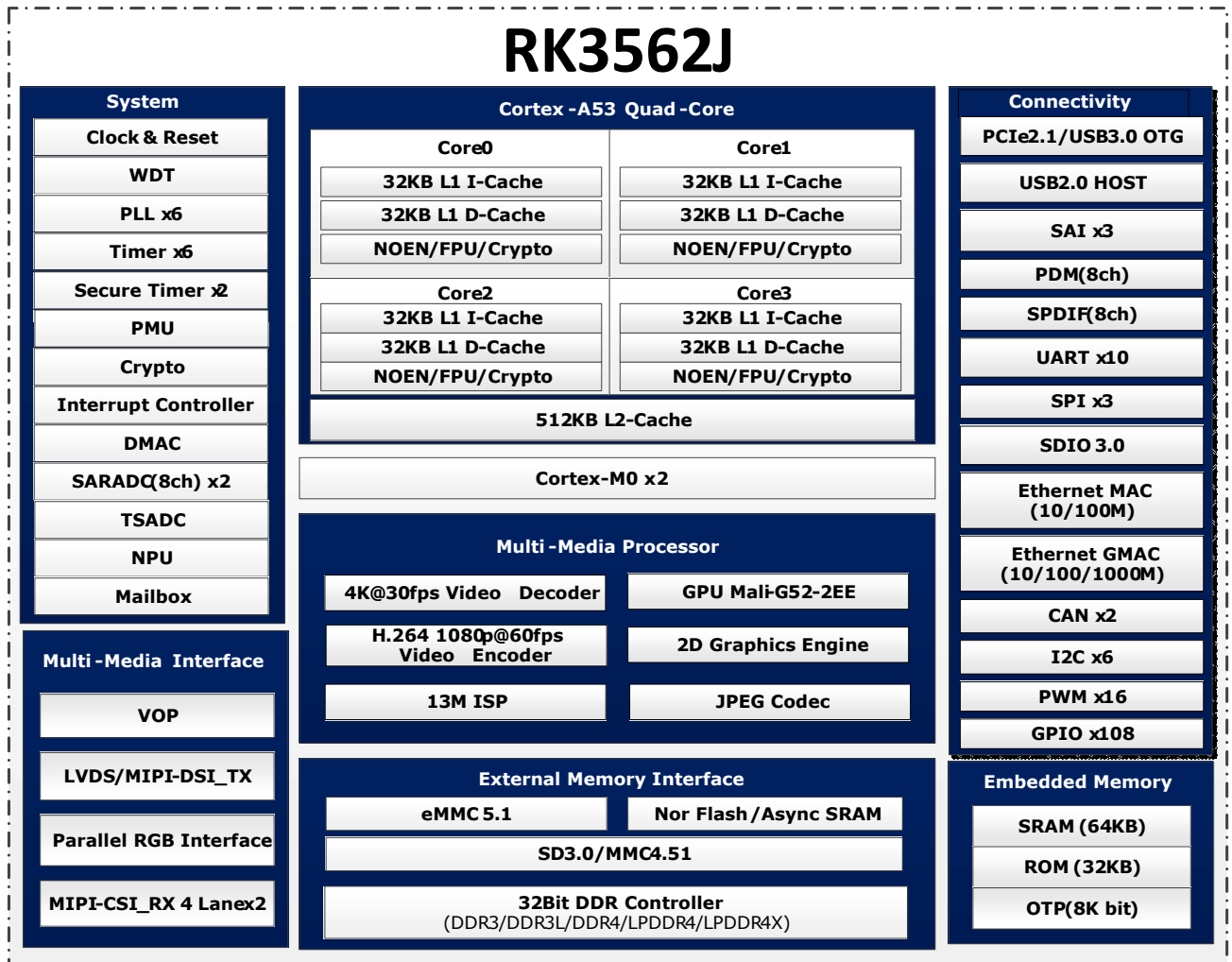


Fig. 1-1 Block Diagram

Chapter 2 Package Information

2.1 Order Information

Orderable Device	RoHS status	Package	Package Q'ty	Device Feature
RK3562J	RoHS	FCCSP478L	1190pcs	Quad core application processor

2.2 Top Marking

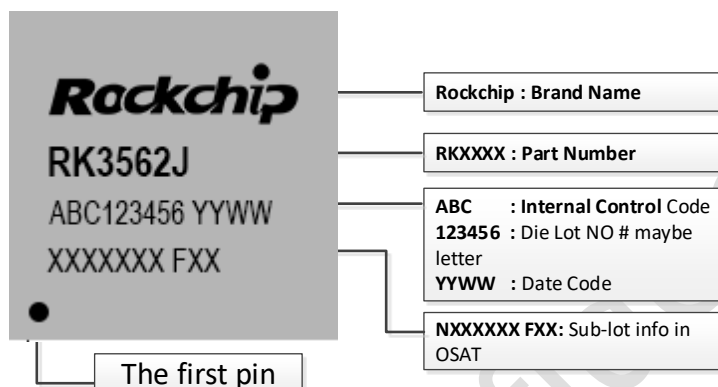


Fig.2-1 Package definition

2.3 Package Dimension

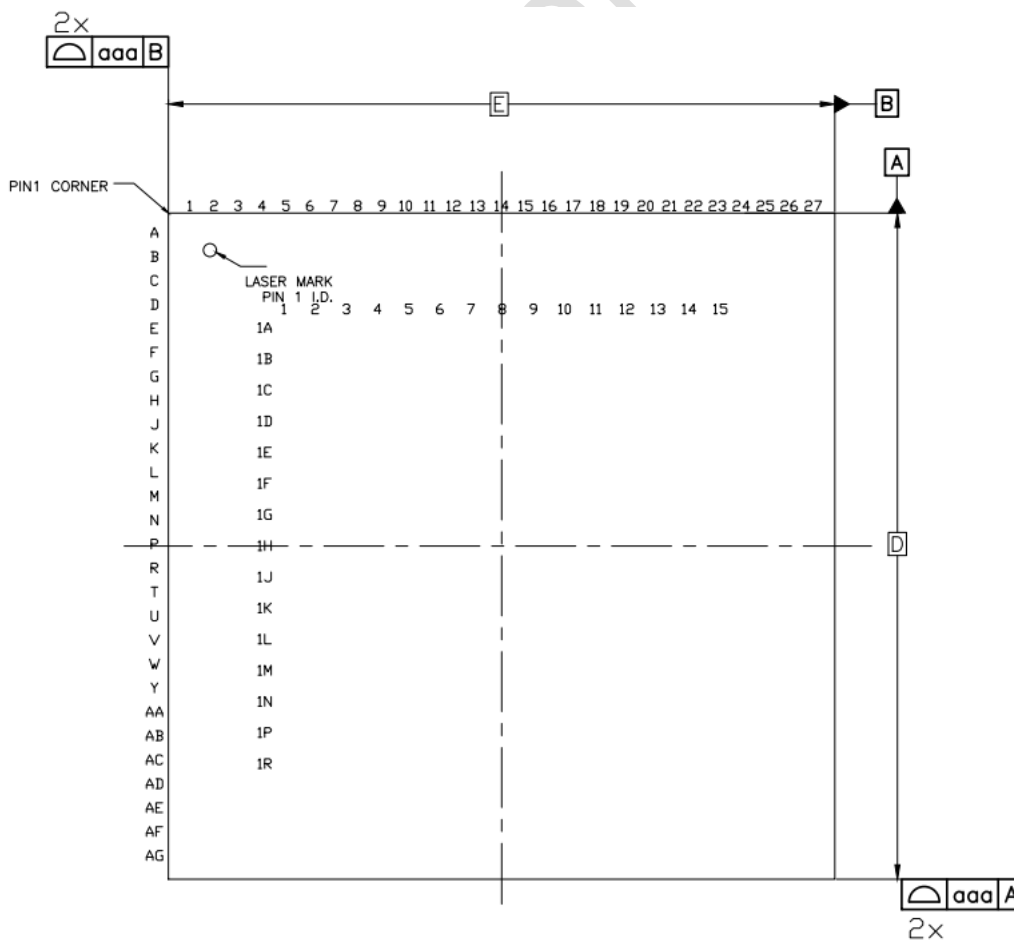
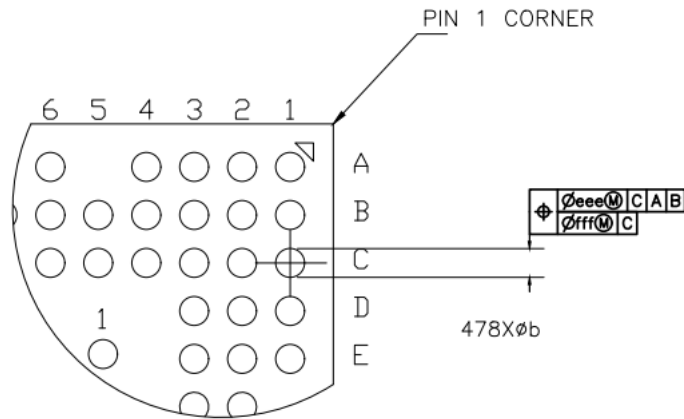
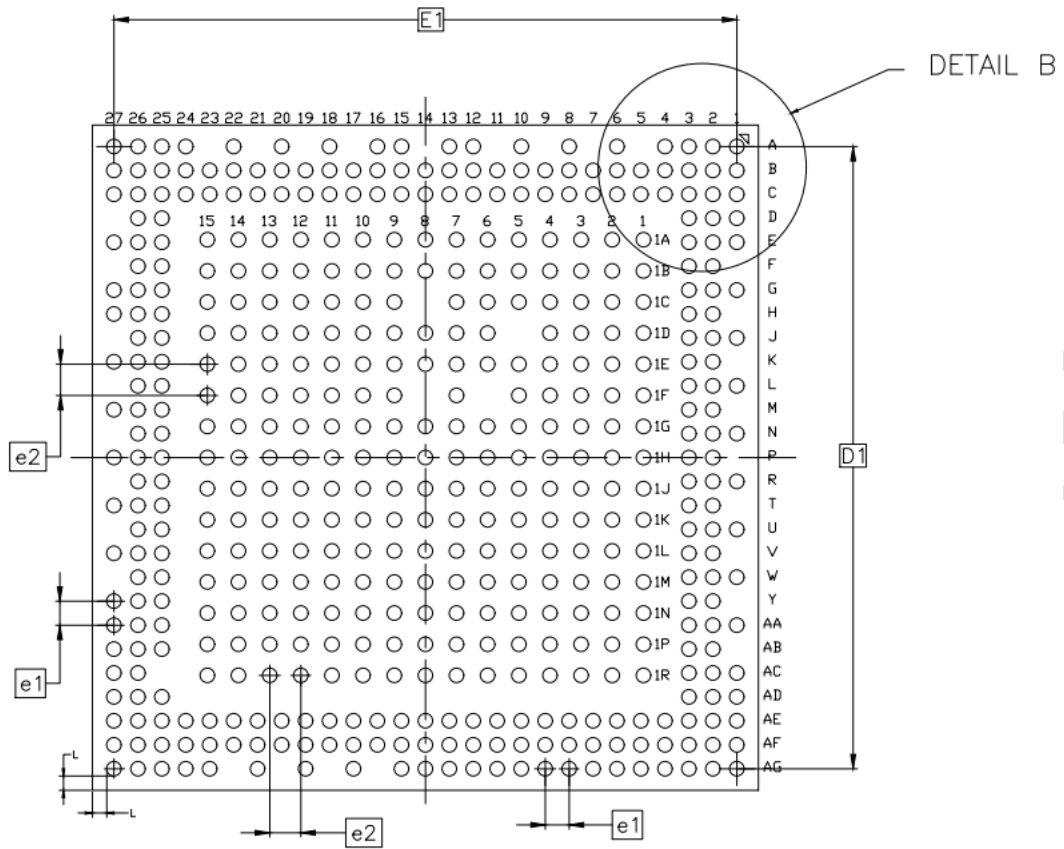


Fig.2-2 Package Top View



DETAIL B(2:1)

Fig.2-3 Package bottom view

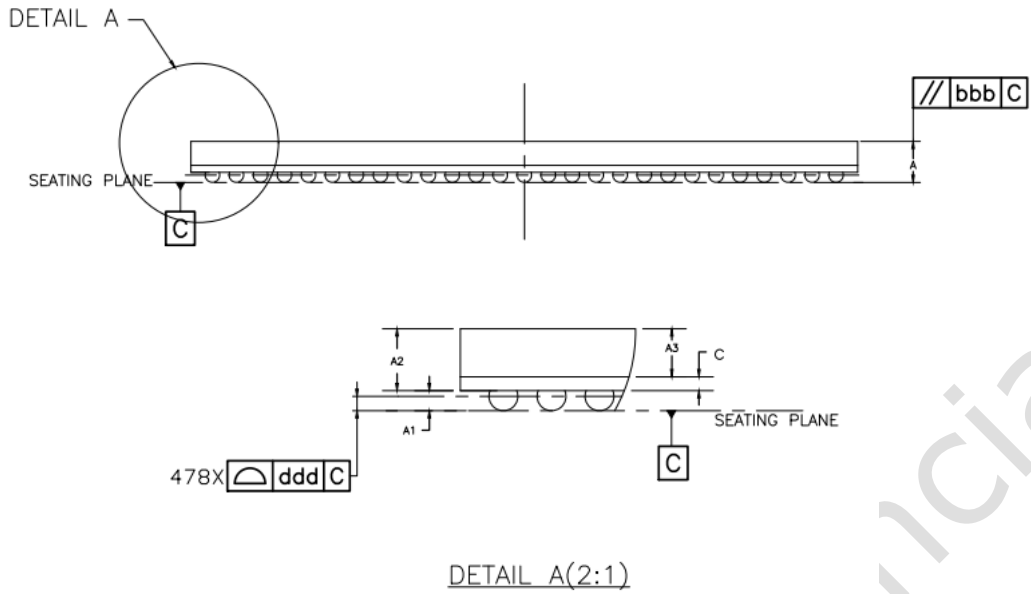


Fig.2-4 Package side view

SYMBOL	MILLIMETER		
	MIN	NOM	MAX
A	0.795	0.87	0.947
A1	0.16	0.21	0.26
A2	0.605	0.66	0.7
A3	0.50 BASIC		
c	0.125	0.145	0.165
D	13.80	13.90	14.00
D1	13.00 BASIC		
E	13.80	13.90	14.00
E1	13.00 BASIC		
e1	0.50 BASIC		
e2	0.65 BASIC		
b	0.25	0.30	0.35
L	0.300 REF		
aaa	0.15		
bbb	0.10		
ddd	0.08		
eee	0.15		
fff	0.05		

Fig.2-5 Package dimension

2.4 MSL Information

Moisture sensitivity level: MSL3

2.5 Lead Finish/Ball Material Information

Lead finish/Ball material: SnAgCu

2.6 Pin Number List

Table 2-1 Pin Number List Information

Pin Name	No.	Pin Name	No.
DDR_DQS1P_A/DDR4_DQSU_P_A/LPDDR4_DQS1P_A/DDR3_DQS1P/LPDDR3_DQS1P	1A1	VO_LCDC_D22/RGMII_TXDO_M0/UART6_CTSN_M1/SPI1_M0SI_M0/GPIO4_A2_d	AA1
AC4/DDR4_A4/LPDDR4_A3_B/DDR3_BA1	1A10	VO_LCDC_D23/RGMII_TXD1_M0/UART6_RTSN_M1/SPI1_MISO_M0/GPIO4_A3_d	AA2
VSS_1A11	1A11	UART1_RTSN_M0/RGMII_TXEN_M1/I2S0_SDI2_M1/PWM6_M1/RMII_TXEN/GPIO1_D3_d	AA25
VSS_1A12	1A12	AVSS2_AA26	AA26
DDR_DQS0P_B/DDR4_DQSU_P_B/LPDDR4_DQS0P_B/DDR3_DQS2P/LPDDR3_DQS2P	1A13	VSS_AA27	AA27
VSS_1A14	1A14	VO_LCDC_D0/RGMII_TXEN_M0/PWM13_M0/GPIO4_A4_d	AA3
DDR_DQS1P_B/DDR4_DQSL_P_B/LPDDR4_DQS1P_B/DDR3_DQS3P/LPDDR3_DQS0P	1A15	VO_LCDC_D14/RGMII_TXD3_M0/UART8_RX_M1/I2S2_SDO_M1/GPIO3_D5_d	AB2
VSS_1A2	1A2	AVSS2_AB25	AB25
DDR_DQS0P_A/DDR4_DQSL_P_A/LPDDR4_DQS0P_A/DDR3_DQS0P/LPDDR3_DQS3P	1A3	USB30_OTG0_SSRXP/PCIE20_RXDP	AB26
VSS_1A4	1A4	USB30_OTG0_SSRXN/PCIE20_RXDN	AB27
VSS_1A5	1A5	VO_LCDC_D13/RGMII_TXD2_M0/UART8_TX_M1/I2S2_SDI_M1/GPIO3_D4_d	AB3
AC12/DDR4_A12/LPDDR4_A3_A/DDR3_BA0	1A6	VO_LCDC_D2/RGMII_MDC_M0/UART9_TX_M0/GPIO4_B2_d	AC1
AC16/DDR4_A16_RASN/LPDDR4_A5_A/DDR3_RASN	1A7	VO_LCDC_D18/RGMII_MDIO_M0/UART9_RX_M0/GPIO4_B3_d	AC2
AC5/DDR4_A5/LPDDR4_A5_B/DDR3_A11	1A8	PCIE20_REFCLKP	AC26
AC19/DDR4_BA1/LPDDR4_A4_B/DDR3_A12	1A9	PCIE20_REFCLKN	AC27
DDR_DQS1N_A/DDR4_DQSU_N_A/LPDDR4_DQS1N_A/DDR3_DQS1N/LPDDR3_DQS1N	1B1	AVSS1_AC3	AC3
AC20/DDR4_BG0/LPDDR4_ODT1_CA_B/DDR3_WEN	1B10	MIPI_CSI_RX1_D3P	AD1
AC29/DDR4_RESETN/LPDDR4_RESETN/DDR3_RESETN	1B11	MIPI_CSI_RX1_D3N	AD2
VSS_1B12	1B12	AVSS2_AD25	AD25
DDR_DQS0N_B/DDR4_DQSU_N_B/LPDDR4_DQS0N_B/DDR3_DQS2N/LPDDR3_DQS2N	1B13	USB30_OTG0_SSTXP/PCIE20_TXDP	AD26
VSS_1B14	1B14	USB30_OTG0_SSTXN/PCIE20_TXDN	AD27
DDR_DQS1N_B/DDR4_DQSL_N_B/LPDDR4_DQS1N_B/DDR3_DQS3N/LPDDR3_DQS0N	1B15	AVSS1_AD3	AD3
VSS_1B2	1B2	MIPI_CSI_RX1_D2P	AE1
DDR_DQS0N_A/DDR4_DQSL_N_A/LPDDR4_DQS0N_A/DDR3_DQS0N/LPDDR3_DQS3N	1B3	AVSS1_AE10	AE10
VSS_1B4	1B4	AVSS1_AE11	AE11
VSS_1B5	1B5	AVSS1_AE12	AE12
AC1/DDR4_A1/DDR3_A2	1B6	AVSS1_AE13	AE13
AC21/DDR4_BG1/LPDDR4_ODT1_CA_A/DDR3_BA2	1B7	AVSS1_AE14	AE14
AC14/DDR4_A14_WEN/LPDDR4_A4_A/DDR3_A15	1B8	I2C2_SDA_M0/PCIE20_WAKEN_M0/GPIO0_B6_d	AE15
VSS_1B9	1B9	UART2_RTSN_M0/PWM0_M0/SPI0_CLK_M0/GPIO0_C3_d	AE16
VSS_1C1	1C1	I2C1_SCL_M0/GPIO0_B3_d	AE17
VSS_1C10	1C10	UART6_RTSN_M0/PWM2_M0/SPI0_MISO_M0/GPIO0_C5_d	AE18
VSS_1C11	1C11	UART6_RX_M0/CAN0_RX_M2/GPIO0_C7_d	AE19
VSS_1C12	1C12	AVSS1_AE2	AE2
VSS_1C13	1C13	UART0_TX_M0/JTAG_CPU_MCU_TCK_M0/GPIO0_D1_u	AE20
VSS_1C14	1C14	VSS_AE21	AE21
VSS_1C15	1C15	SDMMC0_PWREN/I2C4_SCL_M1/PMU_DEBUG/GPIO0_A5_d	AE22
VSS_1C2	1C2	I2C0_SDA/GPIO0_B2_d	AE23
VSS_1C3	1C3	REF_CLK_OUT/GPIO0_A0_d	AE24
VSS_1C4	1C4	VSS_AE25	AE25
VSS_1C5	1C5	USB20_HOST1_DM	AE26
VSS_1C6	1C6	USB20_HOST1_DP	AE27
VSS_1C7	1C7	AVSS1_AE3	AE3
DDR_VREFOUT	1C9	AVSS1_AE4	AE4
VSS_1D1	1D1	AVSS1_AE5	AE5
VSS_1D10	1D10	AVSS1_AE6	AE6
DDRPHY_VDDQ_6	1D11	AVSS1_AE7	AE7
VSS_1D12	1D12	AVSS1_AE8	AE8
VSS_1D13	1D13	AVSS1_AE9	AE9
VSS_1D14	1D14	MIPI_CSI_RX1_D2N	AF1
VSS_1D15	1D15	MIPI_DSI_TX_D3N/LVDS_TX_D3N	AF10
VSS_1D2	1D2	MIPI_DSI_TX_D2P/LVDS_TX_D2P	AF11
VSS_1D3	1D3	MIPI_DSI_TX_CLKN/LVDS_TX_CLKN	AF12

Pin Name	No.	Pin Name	No.
DDR_RZQ	1D4	MIPI_DSI_TX_D1P/LVDS_TX_D1P	AF13
DDRPHY_VDDQ_3	1D6	MIPI_DSI_TX_D0N/LVDS_TX_D0N	AF14
VSS_1D7	1D7	SPI0_CSN1_M0/PWM4_M0/CPU_AVS/SPDIF_TX_M1/GPIO0_B7_d	AF15
VSS_1D8	1D8	I2C2_SCL_M0/PCIE20_PERSTN_M0/GPIO0_B5_d	AF16
VSS_1D9	1D9	UART2_TX_M0/PWM7_M0/GPU_AVS/CAN1_TX_M1/GPIO0_C0_d	AF17
SARADC1_IN7	1E1	I2C1_SDA_M0/GPIO0_B4_d	AF18
DDRPHY_VDDQL_4	1E10	UART6_TX_M0/CAN0_TX_M2/GPIO0_C6_d	AF19
VSS_1E11	1E11	MIPI_CSI_RX1_CLK0P	AF2
VDD_GPU_1	1E12	UART0_RX_M0/JTAG_CPU_MCU_TMS_M0/GPIO0_D0_u	AF20
VSS_1E13	1E13	CLK_32K_IN/CLK0_32K_OUT/PCIE20_BUTTONRSTN/GPIO0_B0_d	AF21
SARADCO_AVDD_1V8	1E14	PWR_CTRL1/GPIO0_A3_u	AF22
OTP_VCC_1V8	1E15	PWR_CTRL0/TSADC_SHUT_M1/GPIO0_A2_d	AF23
VSS_1E2	1E2	VSS_AF24	AF24
DDRPHY_VDDQ_1	1E3	OSC_SOC_XOUT	AF25
DDRPHY_VDDQL_1	1E4	USB30_OTG0_DM	AF26
DDRPHY_VDDQ_2	1E5	USB30_OTG0_DP	AF27
DDRPHY_VDDQL_2	1E6	MIPI_CSI_RX1_D1P	AF3
DDRPHY_VDDQ_4	1E7	MIPI_CSI_RX1_D0P	AF4
DDRPHY_VDDQL_3	1E8	MIPI_CSI_RX0_D3P	AF5
DDRPHY_VDDQ_5	1E9	MIPI_CSI_RX0_D2P	AF6
SARADC1_IN0	1F1	MIPI_CSI_RX0_CLK0P	AF7
VSS_1F10	1F10	MIPI_CSI_RX0_D1P	AF8
VDD_GPU_2	1F11	MIPI_CSI_RX0_D0P	AF9
VDD_GPU_3	1F12	AVSS1_AG1	AG1
VDD_GPU_4	1F13	MIPI_DSI_TX_D3P/LVDS_TX_D3P	AG10
VCCIO2	1F14	MIPI_DSI_TX_D2N/LVDS_TX_D2N	AG11
VSS_1F15	1F15	MIPI_DSI_TX_CLKP/LVDS_TX_CLKP	AG12
SARADC1_IN2	1F2	MIPI_DSI_TX_D1N/LVDS_TX_D1N	AG13
VSS_1F3	1F3	MIPI_DSI_TX_D0P/LVDS_TX_D0P	AG14
VSS_1F4	1F4	VSS_AG15	AG15
VSS_1F5	1F5	UART2_CTSN_M0/PWM5_M0/SPI0_CSN0_M0/GPIO0_C2_d	AG17
VSS_1F7	1F7	UART6_CTSN_M0/PWM1_M0/SPI0_MOSI_M0/GPIO0_C4_d	AG19
VSS_1F9	1F9	MIPI_CSI_RX1_CLK0N	AG2
SYSPLL_AVDD_1V8	1G1	PWM3_M0/GPIO0_A7_d	AG21
VDD_LOGIC_1	1G10	I2C0_SCL/GPIO0_B1_d	AG23
VDD_GPU_5	1G11	PCIE20_CLKREQN_M0/GPIO0_A6_d	AG24
VDD_GPU_6	1G12	OSC_SOC_XIN	AG25
VSS_1G13	1G13	VSS_AG26	AG26
VSS_1G14	1G14	AVSS2_AG27	AG27
VCCIO3	1G15	MIPI_CSI_RX1_D1N	AG3
VSS_1G2	1G2	MIPI_CSI_RX1_D0N	AG4
VDD_NPU_1	1G3	MIPI_CSI_RX0_D3N	AG5
VDD_NPU_2	1G4	MIPI_CSI_RX0_D2N	AG6
VDD_NPU_3	1G5	MIPI_CSI_RX0_CLK0N	AG7
VSS_1G6	1G6	MIPI_CSI_RX0_D1N	AG8
VSS_1G7	1G7	MIPI_CSI_RX0_D0N	AG9
VDD_CPU_1	1G8	DDR_DQ10_A/DDR4_DQU3_A/LPDDR4_DQ10_A/DDR3_DQ12/LPDDR3_DQ15	B1
VSS_1G9	1G9	AC11/DDR4_A11/LPDDR4_A0_A/DDR3_A6/LPDDR3_A8	B10
SARADC1_IN4	1H1	AC3/DDR4_A3/LPDDR4_CS0N_A/DDR3_ODT1/LPDDR3_ODT0	B11
VDD_LOGIC_2	1H10	AC25/DDR4_CS0N/LPDDR4_CKE1_A/DDR3_A3	B12
VDD_LOGIC_MEM	1H11	AC24/DDR4_CLK0N/LPDDR4_CLKP_A/DDR3_CLKN/LPDDR3_CLKN	B13
VSS_1H12	1H12	VSS_B14	B14
VSS_1H13	1H13	AC9/DDR4_A9/LPDDR4_CLKP_B/DDR3_A13	B15
VCCIO4	1H14	AC17/DDR4_ACTN/LPDDR4_CKE1_B/DDR3_CASN/LPDDR3_CS1N	B16
I2S2_SDO_M0/RGMII_RXD1_M1/UART4_RTSN_M1/SPI2_MOSI_M1/PWM14_M1/RMII_RXD1/GPIO1_D7_d	1H15	AC28/DDR4_ODT1/LPDDR4_CS0N_B/DDR3_CS0N/LPDDR3_A2	B17
VSS_1H2	1H2	AC7/DDR4_A7/LPDDR4_A0_B/DDR3_A5/LPDDR3_A0	B18
VDD_NPU_4	1H3	AC13/DDR4_A13/LPDDR4_ODT0_CA_B/DDR3_A8/LPDDR3_ODT1	B19
VDD_NPU_5	1H4	DDR_DQ11_A/DDR4_DQU7_A/LPDDR4_DQ11_A/DDR3_DQ8	B2

Pin Name	No.	Pin Name	No.
		/LPDDR3_DQ14	
VSS_1H5	1H5	DDR_DQ1_B/DDR4_DQU3_B/LPDDR4_DQ1_B/DDR3_DQ20/ LPDDR3_DQ21	B20
VDD_CPU_2	1H6	DDR_DM0_B/DDR4_DMU_B/LPDDR4_DM0_B/DDR3_DM2/LP DDR3_DM2	B21
VDD_CPU_3	1H7	DDR_DQ0_B/DDR4_DQU7_B/LPDDR4_DQ0_B/DDR3_DQ16/ LPDDR3_DQ17	B22
VDD_CPU_4	1H8	DDR_DQ5_B/DDR4_DQU4_B/LPDDR4_DQ5_B/DDR3_DQ23/ LPDDR3_DQ19	B23
VSS_1H9	1H9	DDR_DQ13_B/DDR4_DQL7_B/LPDDR4_DQ13_B/DDR3_DQ3 1/LPDDR3_DQ5	B24
SARADC1_IN1	1J1	DDR_DQ15_B/DDR4_DQL3_B/LPDDR4_DQ15_B/DDR3_DQ2 9/LPDDR3_DQ7	B25
VDD_LOGIC_3	1J10	DDR_DQ11_B/DDR4_DQL6_B/LPDDR4_DQ11_B/DDR3_DQ2 4/LPDDR3_DQ6	B26
VDD_LOGIC_4	1J11	DDR_DQ10_B/DDR4_DQL2_B/LPDDR4_DQ10_B/DDR3_DQ2 8/LPDDR3_DQ2	B27
VDD_LOGIC_5	1J12	DDR_DQ15_A/DDR4_DQU6_A/LPDDR4_DQ15_A/DDR3_DQ9 /LPDDR3_DQ10	B3
VSS_1J13	1J13	DDR_DQ13_A/DDR4_DQU4_A/LPDDR4_DQ13_A/DDR3_DQ1 5/LPDDR3_DQ8	B4
SDMMC1_PWREN/RGMII_MDC_M1/PWM2_M1/I2C5_SCL_ M1/RMII_MDC/GPIO1_C7_d	1J14	DDR_DQ5_A/DDR4_DQL1_A/LPDDR4_DQ5_A/DDR3_DQ3/LP DDR3_DQ28	B5
I2S2_SDI_M0/RGMII_RXER_M1/UART4_CTSN_M1/SPI2_M ISO_M1/PWM15_M1/RMII_RXER/GPIO2_A0_d	1J15	DDR_DQ0_A/DDR4_DQL6_A/LPDDR4_DQ0_A/DDR3_DQ0/LP DDR3_DQ30	B6
SARADC1_IN3	1J2	DDR_DM0_A/DDR4_DML_A/LPDDR4_DM0_A/DDR3_DM0/LP DDR3_DM3	B7
VSS_1J3	1J3	DDR_DQ1_A/DDR4_DQL2_A/LPDDR4_DQ1_A/DDR3_DQ4/LP DDR3_DQ26	B8
VSS_1J4	1J4	AC8/DDR4_A8/LPDDR4_ODT0_CA_A/DDR3_A7/LPDDR3_A9	B9
VSS_1J5	1J5	DDR_DQ9_A/DDR4_DQU5_A/LPDDR4_DQ9_A/DDR3_DQ10/ LPDDR3_DQ13	C1
VDD_CPU_5	1J6	AC15/DDR4_A15_CASN/LPDDR4_A2_A/DDR3_A0/LPDDR3_A 7	C10
VDD_CPU_6	1J7	AC26/DDR4_CS1N/LPDDR4_CS1N_A/DDR3_CS1N/LPDDR3_ A5	C11
VSS_1J8	1J8	AC22/DDR4_CKE0/LPDDR4_CKE0_A/DDR3_CKE/LPDDR3_CK E	C12
VSS_1J9	1J9	VSS_C13	C13
SARADC1_IN6	1K1	VSS_C14	C14
VDD_LOGIC_6	1K10	VSS_C15	C15
VSS_1K11	1K11	AC10/DDR4_A10/LPDDR4_CKE0_B/DDR3_A10/LPDDR3_CS0 N	C16
VSS_1K12	1K12	AC27/DDR4_ODT0/LPDDR4_CS1N_B/DDR3_ODT0/LPDDR3_ A4	C17
VSS_1K13	1K13	AC18/DDR4_BA0/LPDDR4_A2_B/DDR3_A1/LPDDR3_A3	C18
MULTI_PHY_AVDD_0V9	1K14	VSS_C19	C19
MULTI_PHY_AVDD_1V8	1K15	DDR_DQ8_A/DDR4_DQU1_A/LPDDR4_DQ8_A/DDR3_DQ14/ LPDDR3_DQ9	C2
SARADC1_AVDD_1V8	1K2	DDR_DQ3_B/DDR4_DQU5_B/LPDDR4_DQ3_B/DDR3_DQ18/ LPDDR3_DQ20	C20
VCCIO5	1K3	VSS_C21	C21
VSS_1K4	1K4	DDR_DQ6_B/DDR4_DQU2_B/LPDDR4_DQ6_B/DDR3_DQ19/ LPDDR3_DQ18	C22
VSS_1K5	1K5	DDR_DQ4_B/DDR4_DQU0_B/LPDDR4_DQ4_B/DDR3_DQ21/ LPDDR3_DQ23	C23
VSS_1K6	1K6	VSS_C24	C24
VSS_1K7	1K7	VSS_C25	C25
VSS_1K8	1K8	DDR_DQ8_B/DDR4_DQL0_B/LPDDR4_DQ8_B/DDR3_DQ26/L PDDR3_DQ0	C26
VSS_1K9	1K9	DDR_DQ9_B/DDR4_DQL4_B/LPDDR4_DQ9_B/DDR3_DQ30/L PDDR3_DQ1	C27
I2C3_SDA_M0/UART2_RX_M1/SPDIF_TX_M0/CAN0_RX_M 0/UART5_RTSN_M1/GPIO3_A1_d	1L1	VSS_C3	C3
VSS_1L10	1L10	VSS_C4	C4
PMUIO1	1L11	DDR_DQ4_A/DDR4_DQL5_A/LPDDR4_DQ4_A/DDR3_DQ1/LP DDR3_DQ24	C5
PMUIO0	1L12	DDR_DQ7_A/DDR4_DQL3_A/LPDDR4_DQ7_A/DDR3_DQ5/LP DDR3_DQ29	C6
PMUPLL_AVDD_1V8	1L13	VSS_C7	C7
USB_AVDD_0V9	1L14	DDR_DQ3_A/DDR4_DQL4_A/LPDDR4_DQ3_A/DDR3_DQ6/LP DDR3_DQ27	C8
AVSS2_1L15	1L15	VSS_C9	C9
SARADC1_IN5	1L2	I2S1_SDO0_M1/CAM_CLK3_OUT/UART8_RTSN_M0/SPI0_CL K_M1/PWM13_M1/GPIO3_B5_d	D1
VCCIO1	1L3	VSS_D2	D2
VSS_1L4	1L4	SARADC0_IN4	D25
VCCIO6_2	1L5	SARADC0_BOOT	D26
MIPI_CSI_RX1_AVDD_0V9	1L6	I2C5_SDA_M0/ISP_FLASH_TRIGOUT/UART9_RX_M1/GPIO3_ C3_d	D3
AVSS1_1L7	1L7	I2C5_SCL_M0/ISP_PRELIGHT_TRIGOUT/UART9_TX_M1/GPI	E1

Pin Name	No.	Pin Name	No.
		O3_C2_d	
MIPI_CSI_RX0_AVDD_0V9	1L8	I2S1_SDI0_M1/ISP_FLASH_TRIGIN/UART3_RTSN_M1/GPIO3_C1_d	E2
AVSS1_1L9	1L9	SARADC0_IN2	E25
I2C3_SCL_M0/UART2_TX_M1/PDM_SDI3_M0/CAN0_TX_M0/UART5_CTSN_M1/GPIO3_A0_d	1M1	SARADC0_IN5	E26
SYSPLL_AVDD_0V9	1M10	SARADC0_IN6	E27
PMU_VDD_LOGIC_0V9	1M11	VSS_E3	E3
PMUPLL_AVSS	1M12	I2S1_LRCK_M1/CAM_CLK2_OUT/UART8_CTSN_M0/SPI0_M0/SI_M1/PWM12_M1/GPIO3_B4_d	F2
PMUPLL_AVDD_0V9	1M13	SARADC0_IN7	F25
USB_AVDD_3V3	1M14	SARADC0_IN1	F26
USB_AVDD_1V8	1M15	VSS_F3	F3
I2S0_SDO3_M0/I2S0_SDI1_M0/PDM_SDI1_M0/PCIE20_P0/ERSTN_M1/GPIO3_B0_d	1M2	I2S1_SCLK_M1/CAM_CLK1_OUT_M0/UART8_RX_M0/GPIO3_B3_d	G1
VSS_1M3	1M3	I2S1_SDO2_M1/I2S1_SDI2_M1/UART3_TX_M1/SPI0_CSNO_M1/I2C4_SDA_M0/CAN0_RX_M1/GPIO3_B7_d	G2
VCCIO6_1	1M4	VSS_G25	G25
VSS_1M5	1M5	SARADC0_IN3	G26
AVSS1_1M6	1M6	VSS_G27	G27
MIPI_CSI_RX1_AVDD_1V8	1M7	I2S1_SDO1_M1/I2S1_SDI3_M1/UART3_CTSN_M1/SPI0_CSNO_M1/I2C4_SCL_M0/CAN0_TX_M1/GPIO3_B6_d	G3
MIPI_CSI_RX0_AVDD_1V8	1M8	I2S1_SDO3_M1/I2S1_SDI1_M1/UART3_RX_M1/SPI0_MISO_M1/GPIO3_C0_d	H2
MIPI_DSI_TX/LVDS_TX_AVDD_0V9	1M9	EMMC_D2/FSPI_D2/GPIO1_A2_u	H25
VSS_1N1	1N1	EMMC_D6/GPIO1_A6_u	H26
AVSS1_1N10	1N10	EMMC_D7/GPIO1_A7_u	H27
VSS_1N11	1N11	I2S1_MCLK_M1/CAM_CLK0_OUT_M0/UART8_TX_M0/GPIO3_B2_d	H3
VSS_1N12	1N12	I2S0_SDO1_M0/I2S0_SDI3_M0/PDM_CLK0_M0/PCIE20_CLKREQN_M1/UART5_TX_M1/GPIO3_A6_d	J1
TVSS	1N13	I2S0_SDI0_M0/PDM_SDI0_M0/GPIO3_B1_d	J2
AVSS2_1N14	1N14	EMMC_D0/FSPI_D0/GPIO1_A0_u	J25
AVSS2_1N15	1N15	EMMC_D1/FSPI_D1/GPIO1_A1_u	J26
VSS_1N2	1N2	VSS_J3	J3
VSS_1N3	1N3	I2S0_MCLK_M0/UART2_CTSN_M1/PDM_CLK1_M0/GPIO3_A2_d	K2
VSS_1N4	1N4	EMMC_D5/GPIO1_A5_u	K25
AVSS1_1N5	1N5	EMMC_D4/GPIO1_A4_u	K26
AVSS1_1N6	1N6	EMMC_D3/FSPI_D3/GPIO1_A3_u	K27
AVSS1_1N7	1N7	I2S0_SDO0_M0/PWM9_M0/GPIO3_A5_d	K3
AVSS1_1N8	1N8	I2S0_LRCK_M0/PWM8_M0/GPIO3_A4_d	L1
MIPI_DSI_TX/LVDS_TX_AVDD_1V8	1N9	I2S0_SDO2_M0/I2S0_SDI2_M0/PDM_SDI2_M0/PCIE20_WAKEN_M1/UART5_RX_M1/GPIO3_A7_d	L2
AVSS1_1P1	1P1	VSS_L25	L25
AVSS1_1P10	1P10	EMMC_STRB/FSPI_CSNO1/GPIO1_B2_d	L26
VSS_1P11	1P11	I2S0_SCLK_M0/UART2_RTSN_M1/GPIO3_A3_d	L3
nPOR	1P12	VO_LCDC_HSYNC/I2S1_SDO1_M0/UART9_CTSN_M0/SPI2_CSNO_M0/I2C1_SCL_M1/UART3_TX_M0/GPIO4_B4_d	M2
VSS_1P13	1P13	EMMC_CLK/FSPI_CLK/GPIO1_B1_d	M25
USB30_OTG0_VBUSDET	1P14	EMMC_CMD/FSPI_CSNO/GPIO1_B0_u	M26
USB30_OTG0_ID	1P15	VSS_M27	M27
AVSS1_1P2	1P2	VO_LCDC_VSYNC/I2S1_SDO2_M0/UART9_RTSN_M0/SPI2_CSNO_M0/I2C1_SDA_M1/UART3_RX_M0/GPIO4_B5_d	M3
MIPI_CSI_RX1_CLK1P	1P3	VO_LCDC_D3/I2S1_MCLK_M0/UART7_TX_M0/GPIO3_C4_d	N1
AVSS1_1P4	1P4	VO_LCDC_D4/I2S1_SCLK_M0/UART4_CTSN_M0/PWM14_M0/GPIO3_C5_d	N2
AVSS1_1P5	1P5	SDMMC0_D2/JTAG_CPU_MCU_TCK_M1/UART5_CTSN_M0/SP11_CSNO_M1/PWM10_M0/DSM_AUD_RP/GPIO1_B5_u	N25
AVSS1_1P6	1P6	SDMMC0_D3/JTAG_CPU_MCU_TMS_M1/UART5_RTSN_M0/SP11_CSNO_M1/PWM11_M0/DSM_AUD_RN/GPIO1_B6_u	N26
MIPI_CSI_RX0_CLK1P	1P7	VO_LCDC_DEN/I2S1_SDO3_M0/UART3_CTSN_M0/SPI2_CLK_M0/GPIO4_B6_d	N3
AVSS1_1P8	1P8	VO_LCDC_D6/I2S1_SDO0_M0/UART7_RX_M0/GPIO3_C7_d	P2
AVSS1_1P9	1P9	SDMMC0_CMD/SPDIF_TX_M2/UART5_RX_M0/CAN1_RX_M0/GPIO1_B7_u	P25
AVSS1_1R1	1R1	VSS_P26	P26
AVSS1_1R10	1R10	SDMMC0_CLK/TEST_CLK_OUT/UART5_TX_M0/SPI1_CLK_M1/CAN1_TX_M0/GPIO1_C0_d	P27
UART2_RX_M0/PWM6_M0/CAN1_RX_M1/NPU_AVG/GPIO0_C1_d	1R11	VO_LCDC_D5/I2S1_LRCK_M0/UART4_RTSN_M0/PWM15_M0/GPIO3_C6_d	P3
VSS_1R12	1R12	VO_LCDC_D10/I2S1_SDI1_M0/UART4_RX_M0/UART3_RTSN_M0/GPIO3_D1_d	R1
TSADC_SHUT_M0/TSADC_SHUT_ORG/GPIO0_A1_z	1R13	VO_LCDC_D11/I2S1_SDI2_M0/UART7_CTSN_M0/SPI2_MISO_M0/I2C2_SCL_M1/GPIO3_D2_d	R2

Pin Name	No.	Pin Name	No.
VSS_1R14	1R14	SDMMC0_D0/UART0_RX_M1/UART7_RX_M1/SPI1_MOSI_M1/DSM_AUD_LP/GPIO1_B3_u	R25
SDMMC0_DETNI2C4_SDA_M1/GPIO0_A4_u	1R15	SDMMC0_D1/UART0_TX_M1/UART7_TX_M1/SPI1_MISO_M1/DSM_AUD_LN/GPIO1_B4_u	R26
AVSS1_1R2	1R2	VO_LCDC_D7/I2S1_SDI0_M0/UART4_TX_M0/GPIO3_D0_d	R3
MIPI_CSI_RX1_CLK1N	1R3	VO_LCDC_D17/ETH_CLK_25M_OUT_M0/CAM_CLK0_OUT_M1/I2S2_SCLK_M1/PDM_CLK1_M1/GPIO4_B1_d	T2
AVSS1_1R4	1R4	SDMMC1_D2/RGMII_TXCLK_M1/I2S0_SDO0_M1/PWM10_M1/GPIO1_C3_d	T25
AVSS1_1R5	1R5	SDMMC1_D3/RGMII_RXD2_M1/I2S0_LRCK_M1/PWM11_M1/GPIO1_C4_d	T26
AVSS1_1R6	1R6	SDMMC1_CMD/RGMII_RXD3_M1/I2S0_SCLK_M1/PWM0_M1/GPIO1_C5_d	T27
MIPI_CSI_RX0_CLK1N	1R7	VO_LCDC_D12/I2S1_SDI3_M0/UART7_RTSN_M0/SPI2_MOSI_M0/I2C2_SDA_M1/GPIO3_D3_d	T3
AVSS1_1R8	1R8	VO_LCDC_CLK/RGMII_CLK_M0/CAM_CLK1_OUT_M1/PDM_CLK0_M1/GPIO4_B7_d	U1
AVSS1_1R9	1R9	VO_LCDC_D21/RGMII_RXCLK_M0/I2S2_LRCK_M1/PWM12_M0/GPIO4_A1_d	U2
VSS_A1	A1	SDMMC1_CLK/RGMII_RXCLK_M1/I2S0_MCLK_M1/PWM1_M1/GPIO1_C6_d	U25
AC2/DDR4_A2/LPDDR4_A1_A/DDR3_A4/LPDDR3_A6	A10	SDMMC1_D0/RGMII_TXD2_M1/I2S0_SDI0_M1/PWM8_M1/GPIO1_C1_d	U26
VSS_A12	A12	VSS_U3	U3
AC23/DDR4_CLK0P/LPDDR4_CLKN_A/DDR3_CLKP/LPDDR3_CLKP	A13	VO_LCDC_D9/RGMII_RXDV_M0/UART1_RTSN_M1/PDM_SDI0_M1/UART6_TX_M1/GPIO4_A7_d	V2
AC0/DDR4_A0/LPDDR4_CLKN_B/DDR3_A9	A15	SDMMC1_D1/RGMII_TXD3_M1/I2S0_SDI1_M1/PWM9_M1/GPIO1_C2_d	V25
VSS_A16	A16	SDMMC1_DETNI2C5_SDA_M1/RGMII_MDIO/GPIO1_D0_d	V26
AC6/DDR4_A6/LPDDR4_A1_B/DDR3_A14/LPDDR3_A1	A18	I2S2_LRCK_M0/RGMII_RXDV_M1/UART4_TX_M1/SPI2_CSN0_M1/RMII_RXDV_CRS/GPIO1_D6_d	V27
DDR_DM1_A/DDR4_DMU_A/LPDDR4_DM1_A/DDR3_DM1/LPDDR3_DM1	A2	VO_LCDC_D16/RGMII_RXER_M0/UART1_CTSN_M1/PDM_SDI1_M1/UART6_RX_M1/GPIO4_B0_d	V3
DDR_DQ2_B/DDR4_DQU1_B/LPDDR4_DQ2_B/DDR3_DQ22/LPDDR3_DQ16	A20	VO_LCDC_D8/RGMII_RXD1_M0/UART1_RX_M1/PDM_SDI3_M1/I2C3_SDA_M1/GPIO4_A6_d	W1
DDR_DQ7_B/DDR4_DQU6_B/LPDDR4_DQ7_B/DDR3_DQ17/LPDDR3_DQ22	A22	VO_LCDC_D19/RGMII_RXD2_M0/UART8_CTSN_M1/SPI1_CS_N0_M0/GPIO3_D7_d	W2
DDR_DQ12_B/DDR4_DQL5_B/LPDDR4_DQ12_B/DDR3_DQ25/LPDDR3_DQ3	A24	I2S2_MCLK_M0/ETH_CLK_25M_OUT_M1/CLK1_32K_OUT/SP_I2_CLK_M1/I2S0_SDO3_M1/GPIO2_A1_d	W25
DDR_DQ14_B/DDR4_DQL1_B/LPDDR4_DQ14_B/DDR3_DQ27/LPDDR3_DQ4	A25	I2S2_SCLK_M0/RGMII_CLK_M1/UART4_RX_M1/SPI2_CSN1_M1/RMII_CLK/GPIO1_D5_d	W26
DDR_DM1_B/DDR4_DML_B/LPDDR4_DM1_B/DDR3_DM3/LPDDR3_DM0	A26	VO_LCDC_D1/RGMII_RXD0_M0/UART1_TX_M1/PDM_SDI2_M1/I2C3_SCL_M1/GPIO4_A5_d	W3
VSS_A27	A27	VO_LCDC_D15/RGMII_TXCLK_M0/I2S2_MCLK_M1/SPI1_CLK_M0/GPIO3_D6_d	Y2
DDR_DQ14_A/DDR4_DQU2_A/LPDDR4_DQ14_A/DDR3_DQ11/LPDDR3_DQ11	A3	UART1_RX_M0/RGMII_TXD0_M1/I2S0_SDO1_M1/PWM4_M1/RMII_TXD0/GPIO1_D1_d	Y25
DDR_DQ12_A/DDR4_DQU0_A/LPDDR4_DQ12_A/DDR3_DQ13/LPDDR3_DQ12	A4	UART1_TX_M0/RGMII_TXD1_M1/I2S0_SDO2_M1/PWM5_M1/RMII_TXD1/GPIO1_D2_d	Y26
DDR_DQ6_A/DDR4_DQL7_A/LPDDR4_DQ6_A/DDR3_DQ7/LPDDR3_DQ25	A6	UART1_CTSN_M0/RGMII_RXD0_M1/I2S0_SDI3_M1/PWM7_M1/RMII_RXD0/GPIO1_D4_d	Y27
DDR_DQ2_A/DDR4_DQL0_A/LPDDR4_DQ2_A/DDR3_DQ2/LPDDR3_DQ31	A8	VO_LCDC_D20/RGMII_RXD3_M0/UART8_RTSN_M1/SPI1_CS_N1_M0/GPIO4_A0_d	Y3

Chapter 3 Electrical Specification

3.1 Absolute Ratings

The below table provides the absolute ratings.

Absolute maximum ratings specify the values beyond which the device may be damaged permanently. Long-term exposure to absolute maximum ratings conditions may affect device reliability.

Absolute minimum ratings specify the values beyond which the device may be damaged permanently. Long-term exposure to absolute minimum ratings conditions may affect device reliability.

Table 3-1 Absolute Ratings

Parameters	Related Power Group	Min	Max	Unit
Supply voltage for CPU	VDD_CPU	-0.3	1.18	V
Supply voltage for GPU	VDD_GPU	-0.3	1.1	V
Supply voltage for NPU	VDD_NPU	-0.3	1.1	V
Supply voltage for core logic	VDD_LOGIC VDD_LOGIC_MEM	-0.3	0.99	V
0.9V supply voltage	PMU_VDD_LOGIC_0V9 PMUPLL_AVDD_0V9 SYSPLL_AVDD_0V9 USB_AVDD_0V9 MULTI_PHY_AVDD_0V9 MIPI_CSI_RX0_AVDD_0V9 MIPI_CSI_RX1_AVDD_0V9 MIPI_DSI_TX/LVDS_TX_AVDD_0V9	-0.3	0.99	V
1.8V supply voltage	PMUPLL_AVDD_1V8 SYSPLL_AVDD_1V8 USB_AVDD_1V8 MULTI_PHY_AVDD_1V8 MIPI_CSI_RX0_AVDD_1V8 MIPI_CSI_RX1_AVDD_1V8 MIPI_DSI_TX/LVDS_TX_AVDD_1V8 SARADC0_AVDD_1V8 SARADC1_AVDD_1V8 OTP_VCC_1V8	-0.3	1.98	V
3.3V supply voltage	USB_AVDD_3V3	-0.3	3.63	V
Supply voltage for DDR IO	DDRPHY_VDDQ	-0.3	1.65	V
Storage Temperature	Tstg	-40	125	°C
Max Conjunction Temperature	Tj	NA	125	°C

3.2 Recommended Operating Conditions

The following table describes the recommended operating conditions.

Table 3-2 Recommended Operating Conditions

Parameters	Symbol [®]	Min	Typ	Max	Unit
Voltage for CPU	VDD_CPU, normal mode, max to 1.2GHz	0.8	0.9	1	V

Parameters	Symbol [®]	Min	Typ	Max	Unit
	VDD_CPU, overdrive mode, max to 1.8GHz	NA	NA	1.18	V
Voltage for GPU	VDD_GPU, normal mode, max to 700MHz	0.8	0.9	1	V
	VDD_GPU, overdrive mode, max to 900MHz	NA	NA	1.05	V
Voltage for NPU	VDD_NPU, normal mode, max to 700MHz	0.8	0.9	1	V
	VDD_NPU, overdrive mode, max to 1000MHz	NA	NA	1.05	V
Voltage for core logic	VDD_LOGIC VDD_LOGIC_MEM	0.81	0.9	0.99	V
Voltage for PMU	PMU_VDD_LOGIC_0V9	0.81	0.9	0.99	V
PMUIO0 GPIO Power	PMUIO0	2.97	3.3	3.63	V
Digital GPIO Power (3.3V/1.8V)	VCCIO1,VCCIO2, VCCIO3, VCCIO4,VCCIO5,	2.97	3.3	3.63	V
	VCCIO6, PMUIO1	1.62	1.8	1.98	
DDR3 IO VDDQ power	DDRPHY_VDDQ	1.425	1.5	1.575	V
DDR3L IO VDDQ Power	DDRPHY_VDDQ	1.283	1.35	1.417	V
LPDDR3 IO VDDQ Power	DDRPHY_VDDQ	0.994	1.2	1.3	V
DDR4 IO VDDQ Power	DDRPHY_VDDQ	0.994	1.2	1.3	V
LPDDR4 IO VDDQ Power	DDRPHY_VDDQ	1.0	1.1	1.21	V
LPDDR4X IO VDDQ Power	DDRPHY_VDDQ	0.54	0.6	0.66	V
PMU PLL Analog Power(0.9V)	PMUPLL_AVDD_0V9	0.81	0.9	0.99	V
PMU PLL Analog Power(1.8V)	PMUPLL_AVDD_1V8	1.62	1.8	1.98	V
System PLL Analog Power(0.9V)	SYSPLL_AVDD_0V9	0.81	0.9	0.99	V
System PLL Analog Power(1.8V)	SYSPLL_AVDD_1V8	1.62	1.8	1.98	V
USB Analog Power (0.9V)	USB_AVDD_0V9	0.81	0.9	0.99	V
USB Analog Power (1.8V)	USB_AVDD_1V8	1.62	1.8	1.98	V
USB Analog Power (3.3V)	USB_AVDD_3V3	2.97	3.3	3.63	V
Multi-phy Analog Power(0.9V)	MULTI_PHY_AVDD_0V9	0.81	0.9	0.99	V
Multi-phy Analog Power(1.8V)	MULTI_PHY_AVDD_1V8	1.62	1.8	1.98	V
MIPI CSI Analog Power(0.9V)	MIPI_CSI_RX0_AVDD_0V9	0.81	0.9	0.99	V
	MIPI_CSI_RX1_AVDD_0V9				
MIPI CSI Analog Power(1.8V)	MIPI_CSI_RX0_AVDD_1V8	1.62	1.8	1.98	V
	MIPI_CSI_RX1_AVDD_1V8				
MIPI DSI Analog Power(0.9V)	MIPI_DSI_TX/LVDS_TX_AVDD_0V9	0.81	0.9	0.99	V
MIPI DSI Analog Power(1.8V)	MIPI_CSI_TX/LVDS_TX_AVDD_1V8	1.62	1.8	1.98	V
SARADC Analog Power(1.8V)	SARADC_AVDD_1V8	1.62	1.8	1.98	V
OTP Analog Power(1.8V)	OTP_VCC_1V8	1.62	1.8	1.98	V
OSC input clock frequency		NA	24	NA	MHz

Parameters	Symbol ^①	Min	Typ	Max	Unit
Max CPU frequency normal mode ^②		NA	NA	1.2	GHz
Max CPU frequency overdrive mode ^③		NA	NA	1.8	GHz
Max GPU frequency normal mode ^②		NA	NA	700	MHz
Max GPU frequency overdrive mode ^③		NA	NA	900	MHz
Max NPU frequency normal mode ^②		NA	NA	700	MHz
Max NPU frequency overdrive mode ^③		NA	NA	1000	MHz
Ambient Operating Temperature	T _A	-40	NA	85	°C

Notes:

- ① Symbol name is same as the pin name in the IO descriptions
- ② **Normal mode:** For the industrial operating environment, the lifetime is reasonably determined.
- ③ **Overdrive mode:** The running frequency is higher, and the voltage will increase accordingly. If the chip is in overdrive mode for a long time, especially in high temperature condition, the lifetime may be shortened. If you need high frequency, we recommend that you dynamically adjust frequency&voltage and keep heat dissipation.

3.3 DC Characteristics

Table 3-3 DC Characteristics

Parameters		Symbol	Min	Typ	Max	Unit
Digital GPIO @3.3V	Input Low Voltage	Vil	-0.3	NA	0.8	V
	Input High Voltage	Vih	2.0	NA	VDDO+0.3	V
	Output Low Voltage	Vol	-0.3	NA	0.4	V
	Output High Voltage	Voh	2.4	NA	VDDO+0.3	V
	Pullup Resistor	Rpu	16	NA	43	Kohm
	Pulldown Resistor	Rpd	16	NA	43	Kohm
Digital GPIO @1.8V	Input Low Voltage	Vil	-0.3	NA	0.35*VDDO	V
	Input High Voltage	Vih	0.65*VDDO	NA	VDDO+0.3	V
	Output Low Voltage	Vol	-0.3	NA	0.4	V
	Output High Voltage	Voh	1.4	NA	VDDO+0.3	V
	Pullup Resistor	Rpu	16	NA	43	Kohm
	Pulldown Resistor	Rpd	16	NA	43	Kohm

Parameters		Symbol	Min	Typ	Max	Unit
DDR IO @DDR3 mode	Input High Voltage	Vih_dds	Vref+0.1		DDRPHY_VDD Q	V
	Input Low Voltage	Vil_dds	VSSQ		Vref-0.1	V
	output impedance	Rtt	20		60	Ohm
DDR IO @DDR3L mode	Input High Voltage	Vih_dds	Vref+0.1		DDRPHY_VDD Q	V
	Input Low Voltage	Vil_dds	VSSQ		Vref-0.1	V

Parameters		Symbol	Min	Typ	Max	Unit
	output impedance	Rtt	20		60	Ohm
DDR IO @DDR4 mode	Input High Voltage	Vih_dds	Vref+0.1		DDRPHY_VDD Q	V
	Input Low Voltage	Vil_dds	VSSQ		Vref-0.1	V
	output impedance	Rtt	20		60	Ohm
DDR IO @ LPDDR3 mode	Input High Voltage	Vih_dds	Vref+0.1		DDRPHY_VDD Q	V
	Input Low Voltage	Vil_dds	VSSQ		Vref-0.1	V
	output impedance	Rtt	20		60	Ohm
DDR IO @LPDDR4 mode	Input High Voltage	Vih_dds	Vref+0.1		DDRPHY_VDD Q	V
	Input Low Voltage	Vil_dds	VSSQ		Vref-0.1	V
	output impedance	Rtt	20		60	Ohm
DDR IO @LPDDR4X mode	Input High Voltage	Vih_dds	Vref+0.1		DDRPHY_VDD QL	V
	Input Low Voltage	Vil_dds	VSSQ		Vref-0.1	V
	output impedance	Rtt	20		60	Ohm

3.4 Electrical Characteristics for General IO

Table 3-4 Electrical Characteristics for Digital General IO

Parameters		Symbol	Test condition	Min	Typ	Max	Unit
Digital GPIO @3.3V	Input leakage current	Ii	Vin = 3.3V or 0V	NA	NA	10	uA
	Tri-state output leakage current	Ioz	Vout = 3.3V or 0V	NA	NA	10	uA
	High level input current	Iih	Vin = 3.3V, pulldown disabled	NA	NA	10	uA
			Vin = 3.3V, pulldown enabled	NA	NA	10	uA
	Low level input current	Iil	Vin = 0V, pullup disabled	NA	NA	10	uA
			Vin = 0V, pullup enabled	NA	NA	10	uA
	Digital GPIO @1.8V	Input leakage current	Ii	Vin = 1.8V or 0V	NA	NA	10
Tri-state output leakage current		Ioz	Vout = 1.8V or 0V	NA	NA	10	uA
High level input current		Iih	Vin = 1.8V, pulldown disabled	NA	NA	10	uA
			Vin = 1.8V, pulldown enabled	NA	NA	10	uA
Low level input current		Iil	Vin = 0V, pullup disabled	NA	NA	10	uA
			Vin = 0V, pullup enabled	NA	NA	10	uA

3.5 Electrical Characteristics for PLL

Table 3-5 Electrical Characteristics for Frac PLL

Parameters		Symbol	Test condition	Min	Typ	Max	Unit
Frac PLL	Input clock frequency(Frac)	F_{in}	$F_{in} = F_{REF}$ @1.8V/0.99V	1	NA	1200	MHz
	VCO operating range	F_{vco}	$F_{vco} = F_{ref} * F_{BDIV}$ @3.3V/0.99V	950	NA	3800	MHz
	Output clock frequency	F_{out}	$F_{out} = F_{vco}/POSTDIV$ @3.3V/0.99V	19	NA	3800	MHz
	Lock time	T_{lt}	@ 3.3V/0.99V, $F_{REF}=24M, REF_{DIV}=1$	NA	250	500	Input clock cycles

Table 3-6 Electrical Characteristics for Int-PLL

Parameters		Symbol	Test condition	Min	Typ	Max	Unit
Int PLL	Input clock frequency(Frac)	F_{in}	$F_{in} = F_{REF}$ @1.8V/0.99V	10	NA	800	MHz
	VCO operating range	F_{vco}	$F_{vco} = F_{ref} * F_{BDIV}$ @3.3V/0.99V	475	NA	1900	MHz
	Output clock frequency	F_{out}	$F_{out} = F_{vco}/POSTDIV$ @3.3V/0.99V	9	NA	1900	MHz
	Lock time	T_{lt}	@ 3.3V/0.99V, $F_{REF}=24M, REF_{DIV}=1$	NA	1000	1500	Input clock cycles

Notes:

- ① REF_{DIV} is the input divider value;
- ② F_{BDIV} is the feedback divider value;
- ③ $POSTDIV$ is the output divider value

3.6 Electrical Characteristics for USB 2.0 Interface

Table 3-7 Electrical Characteristics for USB 2.0 Interface

Parameters	Symbol	Test condition	Min	Typ	Max	Unit
Transmitter						
Output resistance	ROUT	Classic mode ($V_{out} = 0$ or 3.3V)	40.5	45	49.5	ohms
		HS mode ($V_{out} = 0$ to 800mV)	40.5	45	49.5	ohms
Output Capacitance	COUT	seen from D+ or D-			3	pF
Output Common Mode Voltage	VM	Classic (LS/FS) mode	1.45	1.65	1.85	V
		HS mode	0.175	0.2	0.225	V
Differential output signal high	VOH	Classic (LS/FS); $I_o=0mA$	2.97	3.3	3.63	V
		Classic (LS/FS); $I_o=6mA$	2.2	NA	NA	V
		HS mode; $I_o=0mA$	360	400	440	mV
Differential output signal low	VOL	Classic (LS/FS); $I_o=0mA$	-0.33	0	0.33	V
		Classic (LS/FS); $I_o=6mA$	NA	0.3	0.8	V
		HS mode; $I_o=0mA$	-40	0	40	mV
Receiver						
Receiver sensitivity	RSENS	Classic mode	NA	+250	NA	mV
		HS mode	NA	+25	NA	mV

Parameters	Symbol	Test condition	Min	Typ	Max	Unit
Receiver common mode	RCM	Classic mode	0.8	1.65	2.5	V
		HS mode (differential and squelch comparator)	0.1	0.2	0.3	V
		HS mode (disconnect comparator)	0.5	0.6	0.7	V
Input capacitance (seen at D+ or D-)			NA	NA	3	pF
Squelch threshold			100	112	150	mV
Disconnect threshold			570	590	625	mV
High input level	VIH		0.6	NA	NA	V
Low input level	VIL		NA	NA	0.2	V

3.7 Electrical Characteristics for DDR IO

Table 3-8 Electrical Characteristics for DDR IO

Parameters	Symbol	Test condition	Min	Typ	Max	Unit
DDR IO @DDR3 mode	Input leakage current	@ 1.5V , 125°C	-80		6	uA
DDR IO @DDR3L mode	Input leakage current	@ 1.35V , 125°C	-65		5	uA
DDR IO @DDR4 mode	Input leakage current	@ 1.2V , 125°C	-50		4	uA
DDR IO @LPDDR3 mode	Input leakage current	@ 1.2V , 125°C	-50		4	uA
DDR IO @LPDDR4 mode	Input leakage current	@ 1.1V , 125°C	-45		3.5	uA
DDR IO @LPDDR4X mode	Input leakage current	@ 0.6V , 125°C	-20		1.5	uA

3.8 Electrical Characteristics for TSADC

Table 3-9 Electrical Characteristics for TSADC

Parameters	Symbol	Test condition	Min	Typ	Max	Unit
Temperature Resolution			NA	+5	NA	°C
Temperature Range			-40	NA	125	°C

3.9 Electrical Characteristics for MIPI DSI

Table 3-10 Electrical Characteristics for MIPI DSI

Parameters	Symbol	Test condition	Min	Typ	Max	Units
Common-mode variations above 450 MHz	$\Delta V_{cmtx}(HF)$		NA	NA	15	mVrms
Common-mode variations between 50MHz - 450MHz	$\Delta V_{cmtx}(LF)$		NA	NA	25	mVpeak
20%-80% rise time and fall time	Tr and Tf		NA	NA	0.3	UI
			10	NA	NA	ps

3.10 Electrical Characteristics for MIPI CSI

Table 3-11 Electrical Characteristics for MIPI CSI

Parameters	Symbol	Test condition	Min	Typ	Max	Units
Common-mode interference beyond 450 MHz	$\Delta V_{cmrx}(HF)$		NA	NA	100	mV
Common-mode interference 50MHz-450MHz	$\Delta V_{cmrx}(LF)$		NA	NA	50	mV
Common-mode termination	Ccm		NA	NA	60	pF
Input pulse rejection	Espike		NA	NA	300	V.ps
Minimum pulse width response	Tmin-rx		20	NA	NA	ns
Peak interference amplitude	Vint		NA	NA	200	mV
Interference frequency	Fint		450	NA	NA	MHz

3.11 Electrical Characteristics for Multi-PHY

Table 3-12 Electrical Characteristics for PCIe PHY

Parameters	Symbol	Condition	Min	Typ	Max	Unit
Transmitter						
Differential p-pTx voltage swing	$V_{TX-DIFF-PP}$		0.8	NA	1.2	V
Low power differential p-p Tx voltage swing	$V_{TX-DIFF-PP-LOW}$		0.4	NA	1.2	V
Tx de-emphasis level ratio	$R_{TX-DIFF-DC}$		80	NA	120	ohm
Single Ended Output Resistance Matching	$R_{TX-DC-OFFSET}$		NA	NA	5	%
The amount of voltage change allowed during Receiver Detection	$V_{TX-RCV-DETECT}$		NA	NA	600	mV
Output rising time for 20% to 80%	T_r		25	NA	NA	ps
Output falling time for 20% to 80%	T_f		25	NA	NA	ps
AC Coupling Capacitor(USB3.0/PCIE)	C_{TX}		75	NA	200	nF
AC Coupling Capacitor(SATA)	C_{TX}		6	NA	12	nF
Receiver						
Unit Interval	UI		399.88	NA	400.12	ps
Input Voltage Swing	$V_{rxdpp-c}$		250	NA	1200	mV
Input differential impedance	R_{rxd-c}		80	NA	120	ohm
Single Ended input Resistance Matching	$T_{rxd-c-ms}$		NA	NA	5	%

Chapter 4 Thermal Management

4.1 Overview

For reliability and operability concerns, the absolute maximum junction temperature has to be below 125°C.

4.2 Package Thermal Characteristics

Table 4-1 provides the thermal resistance characteristics for the package used on the SoC. The resulting simulation data for reference only, please prevail in kind test.

Table 4-1 Thermal Resistance Characteristics

Parameter	Symbol	Typical	Unit
Junction-to-ambient thermal resistance	θ_{JA}	22.646	(°C/W)
Junction-to-board thermal resistance	θ_{JB}	15.937	(°C/W)
Junction-to-case thermal resistance	θ_{JC}	3.347	(°C/W)

Note: The testing PCB is 4 layers, 114.3mmx101.6mm, 1.6mm thickness, Ambient temperature is 25°C.