

Content Indexing

01.Index

02.Change List

03.DC/SATA/IR

04.LCM-MIPI Panel

05.USB/SPDIF/BUZZER/KEYBOARD

06.Camera-Dvp

07.Audio Codec-ES8316

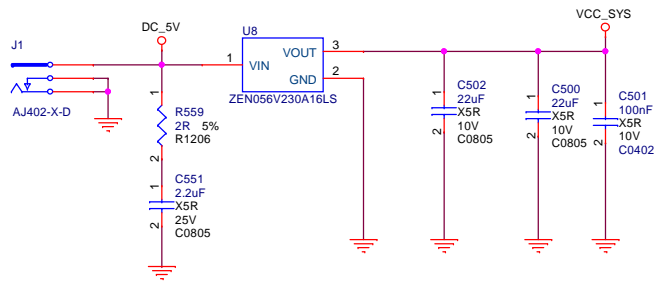
08.GPIO/MIPI_CSI

09.MXM3

Power by Geekbuying.com			
Project:	Landingship		
File:	Index		
Date:	Wednesday, November 18, 2015	Rev:	V1.2
Designed by:	Lu	Sheet:	1 of 9

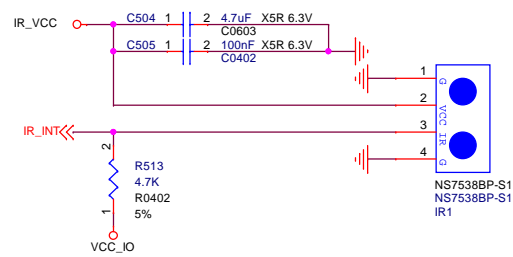
Version	Date	Author	Change Note	Approved
V0.1	20150710	Lu	First edictor	
V1.1	20151008	Lu	1. Use the standard 2.54mm PINs as GPIO	gouwa
V1.2	20151114	Lu	1. Modify the camera connector as 2x10Pins 1.27mm header 2. Remove the Camear & Display power supply, prvide on the module side	gouwa

Power by Geekbuying.com			
Project:	Landingship		
File:	Change List		
Date:	Wednesday, November 18, 2015	Rev:	V1.2
Designed by:	Lu	Sheet:	2 of 9



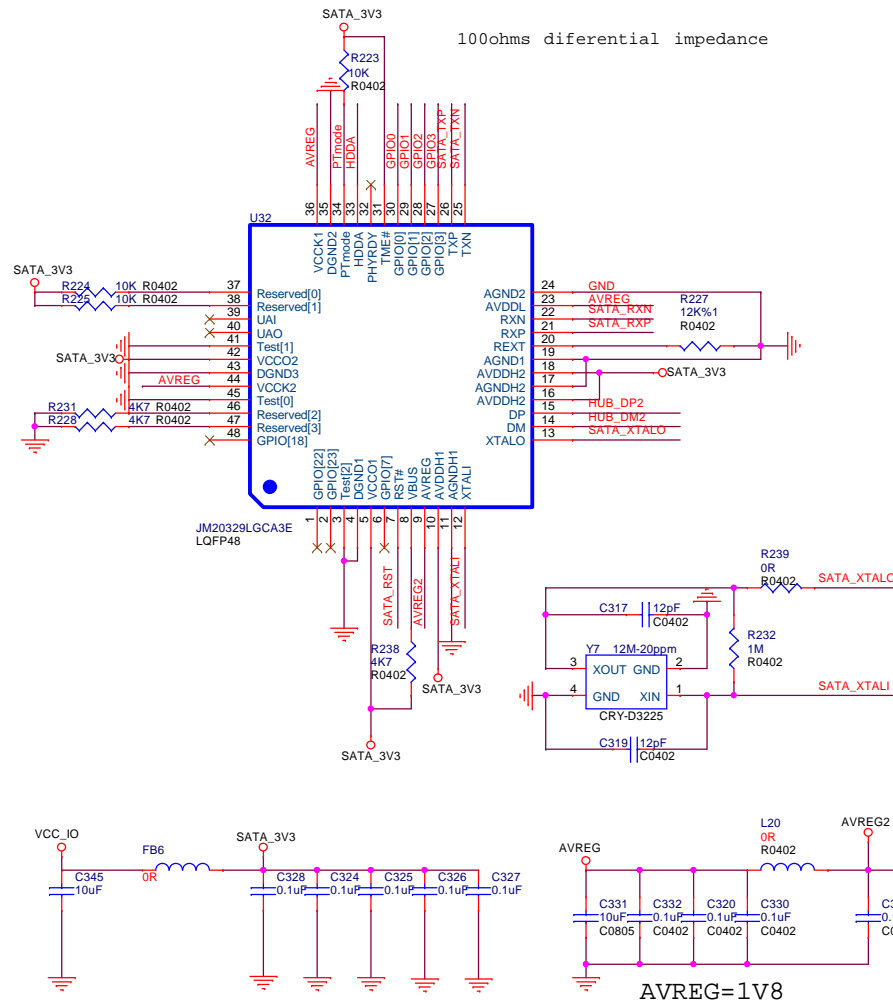
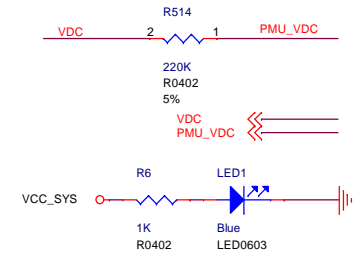
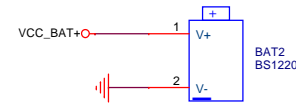
4.8V-5.3V

DC IN

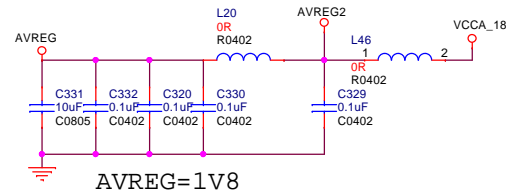
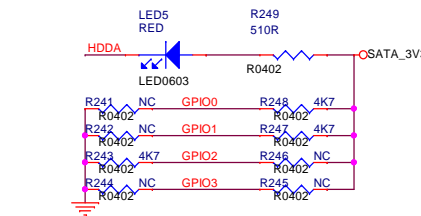
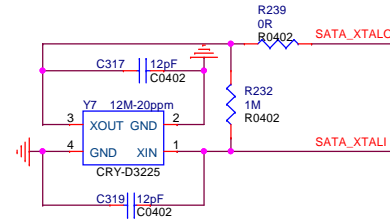
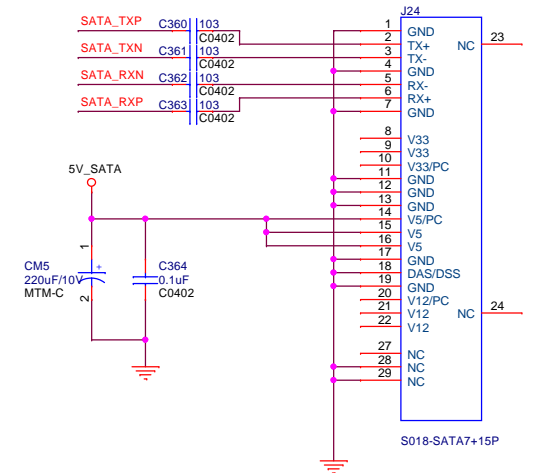
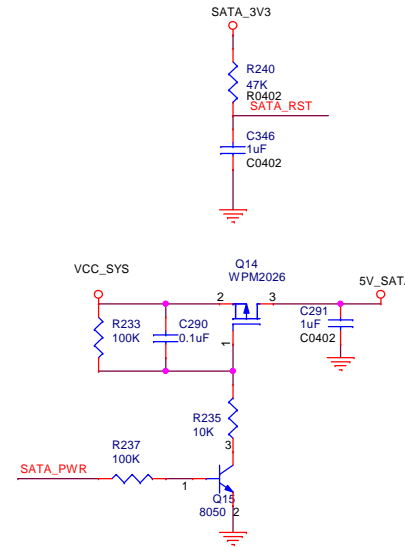


IR Receiver

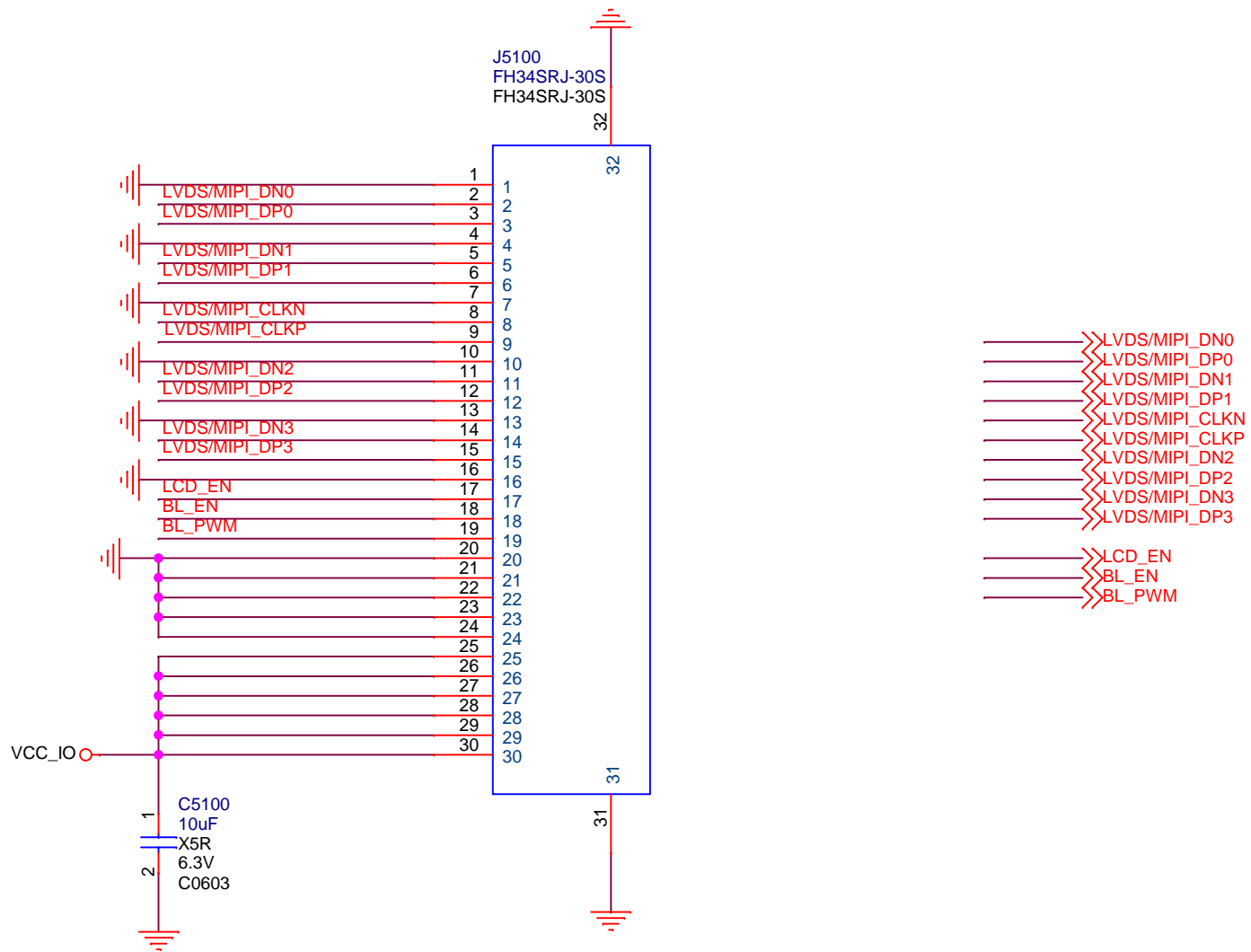
Battery



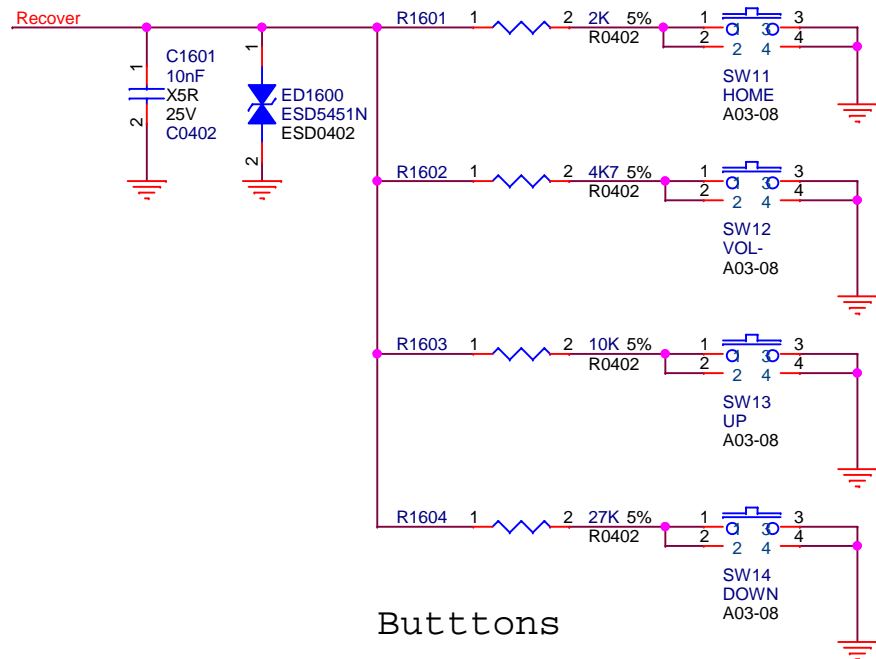
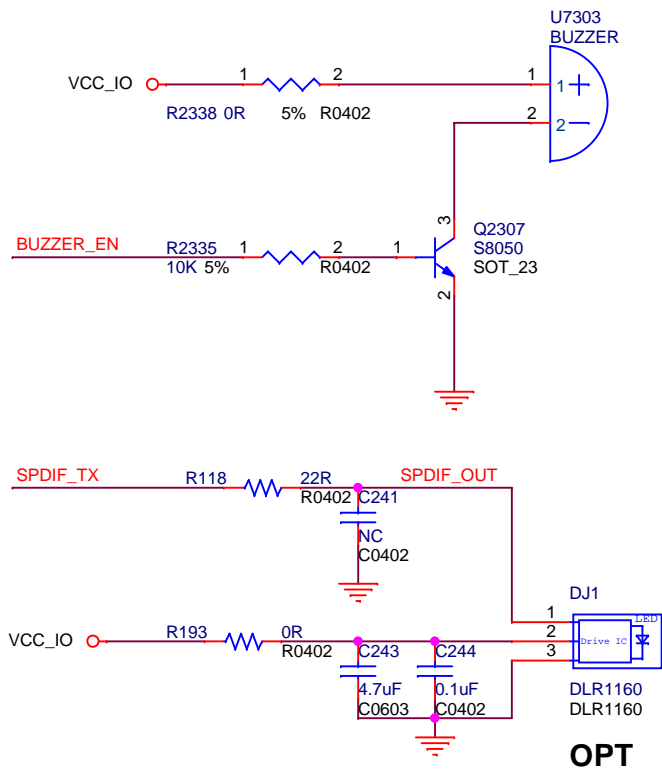
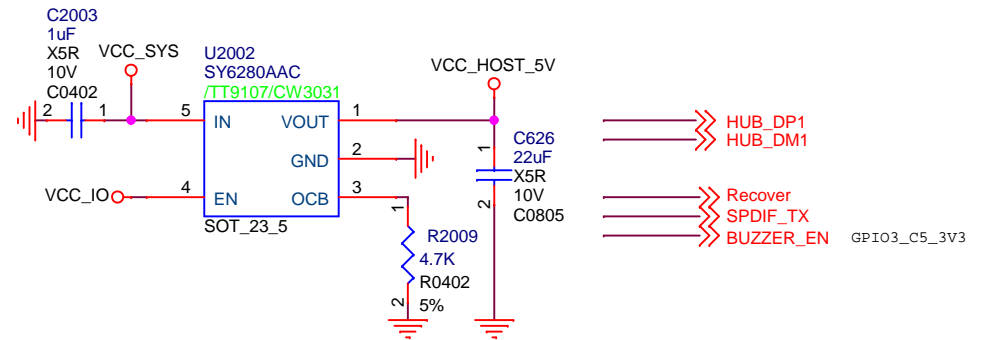
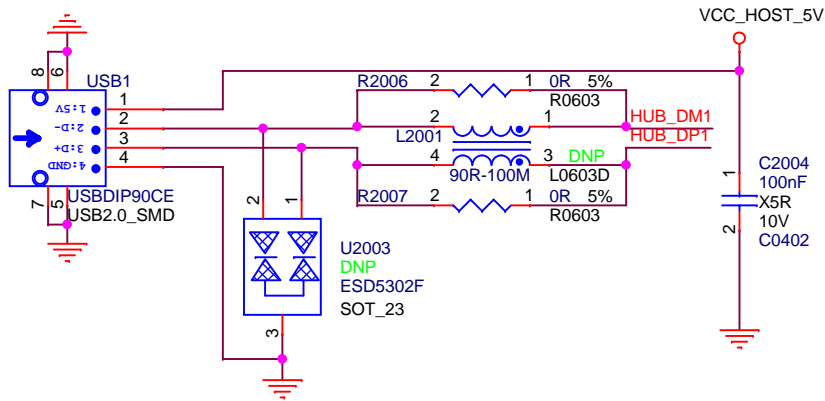
100ohms diferential impedance



Power by Geekbuying.com			
Project:	Landingship		
File:	DC/SATA/IR		
Date:	Wednesday, November 18, 2015	Rev:	V1.2
Designed by:	Lu	Sheet:	3 of 9



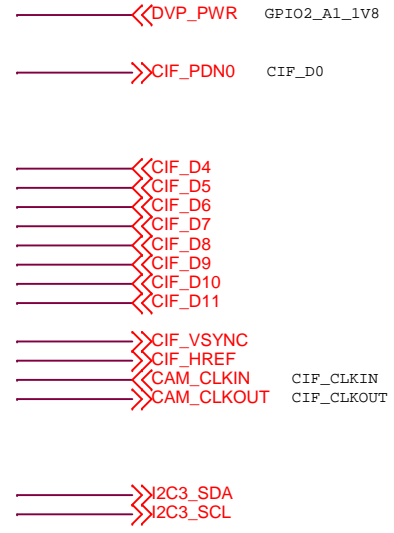
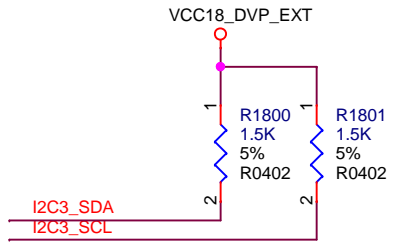
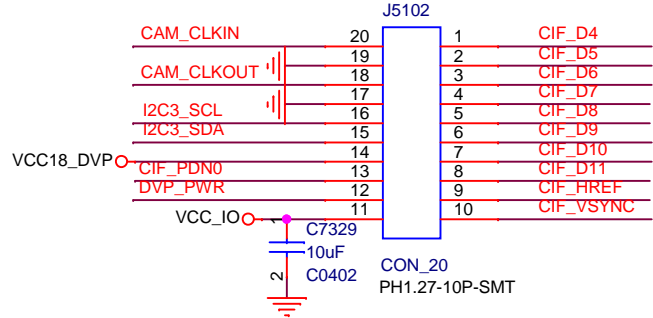
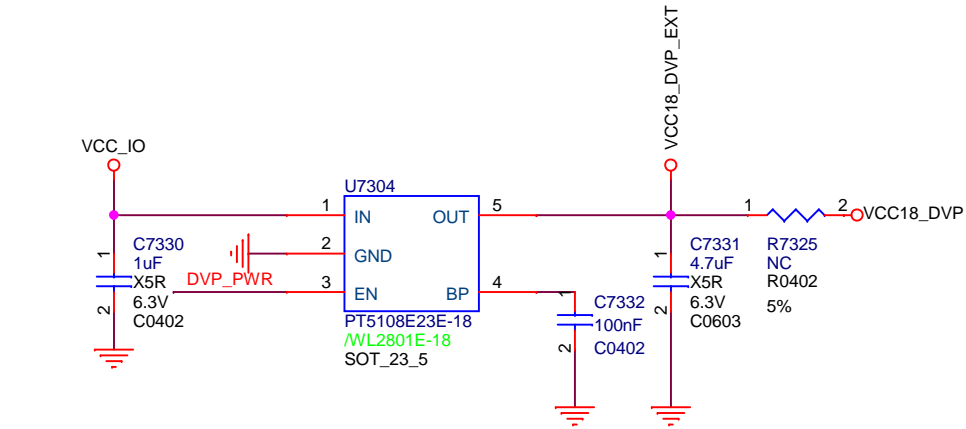
Power by Geekbuying.com			
Project:	Landingship		
File:	LCM-MIPI Panel		
Date:	Wednesday, November 18, 2015	Rev:	V1.2
Designed by:	Lu	Sheet:	4 of 9



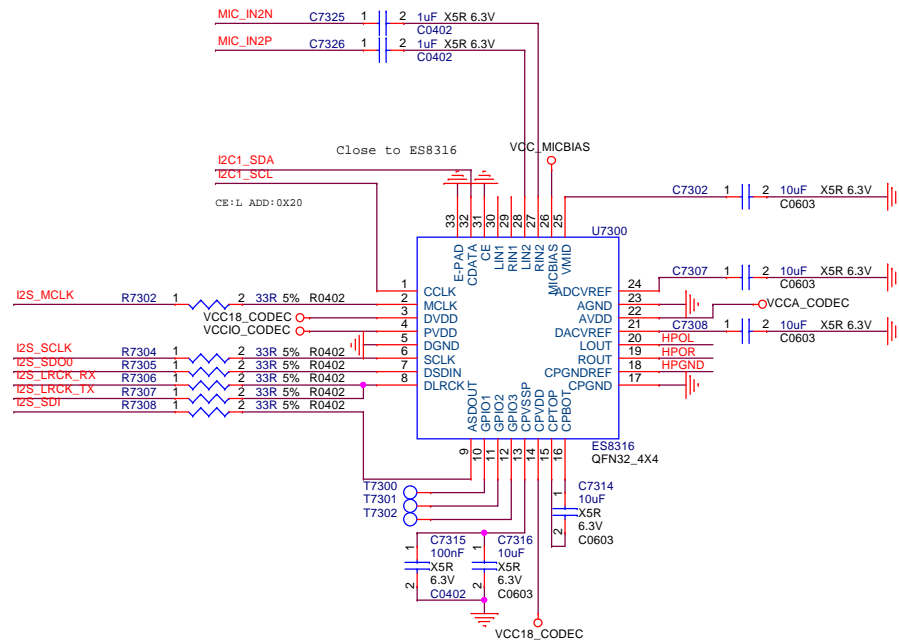
Optical S/PDIF OUT

Buttons

Power by Geekbuying.com			
Project:	Landingship		
File:	USB/SPDIF/BUZZER/BUTTON		
Date:	Wednesday, November 18, 2015	Rev:	V1.2
Designed by:	Lu	Sheet:	5 of 9

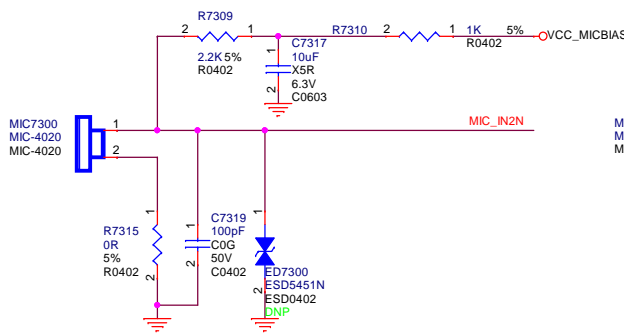


Power by Geekbuying.com			
Project:	Landingship		
File:	Camera-Dvp		
Date:	Wednesday, November 18, 2015	Rev:	V1.2
Designed by:	Lu	Sheet:	6 of 9

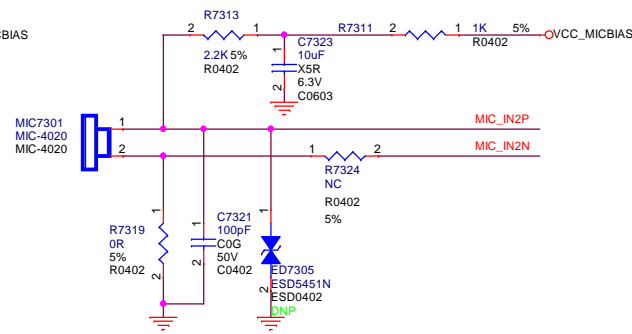


AVDD: Analog Power Supply (1.6-3.3V) Recommend: 3.3V
 PVDD: Digital IO Power Supply (1.6-3.3V) Recommend: 3.3V
 DVDD: Digital Core Power Supply (1.6-3.3V) Recommend: 1.8V
 CPVDD: Charge Pump Power Supply (1.6-2.0V) Recommend: 1.8V

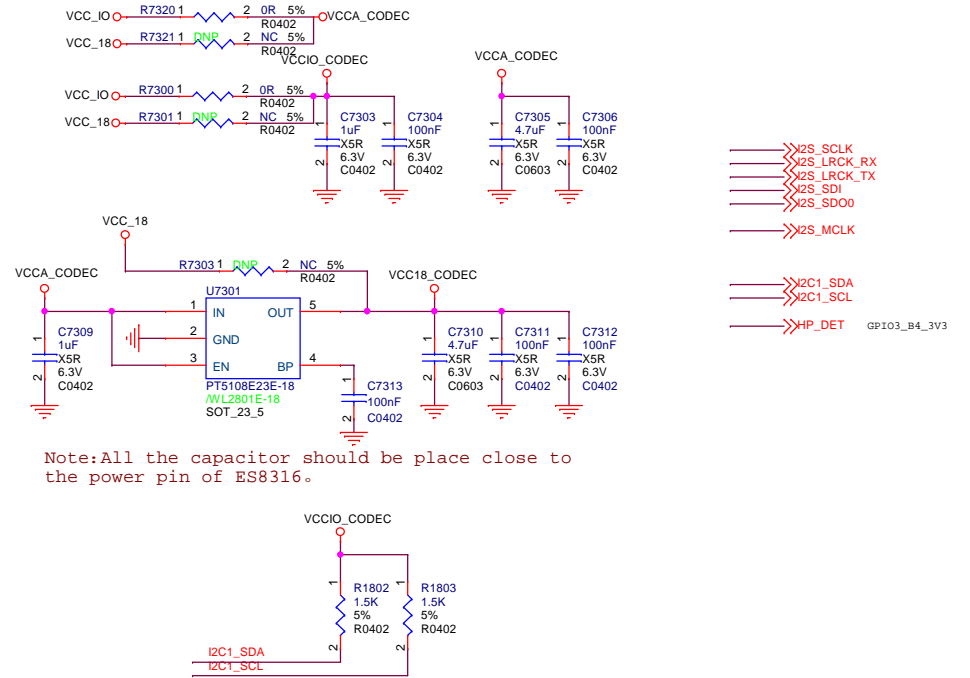
CODEC ES8316



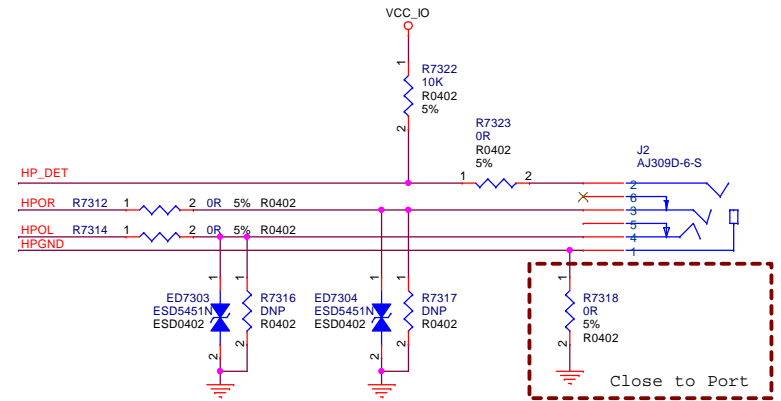
MIC1



MIC2

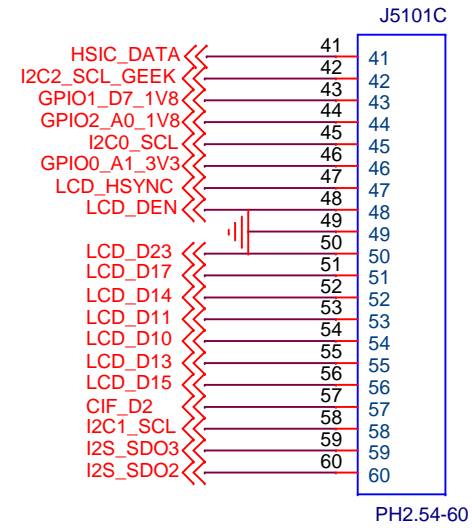
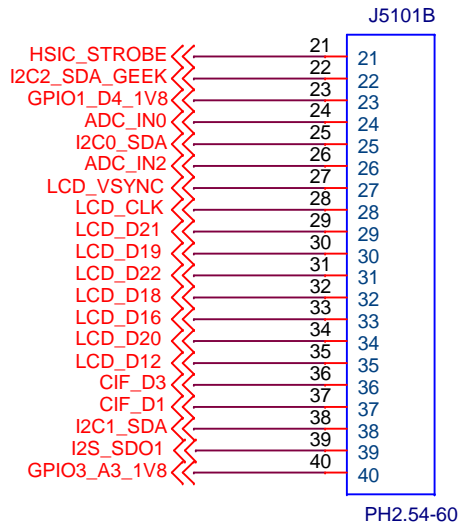
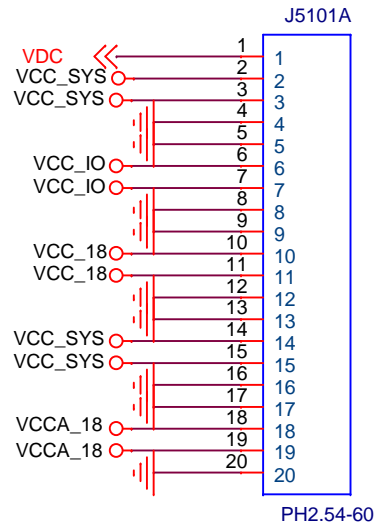
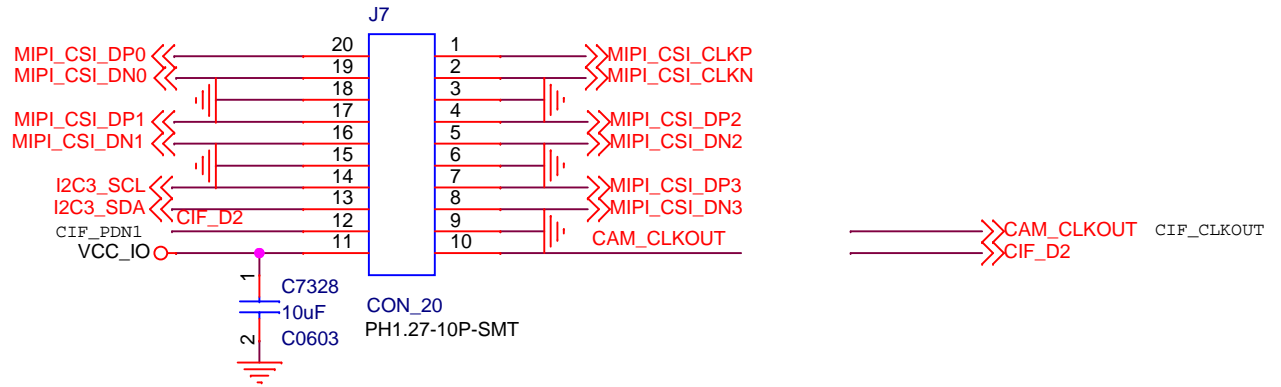
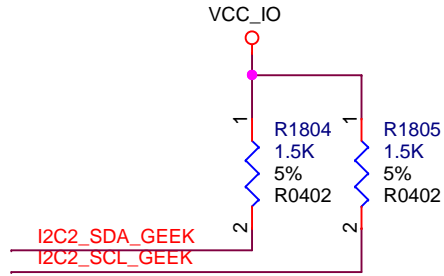


Note: All the capacitor should be place close to the power pin of ES8316.

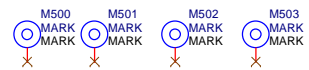
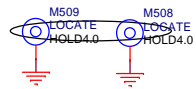


Ear Phone

Power by Geekbuying.com			
Project:	Landingship		
File:	Audio Codec-ES8316		
Date:	Wednesday, November 18, 2015	Rev:	V1.2
Designed by:	Lu	Sheet:	7 of 9



Power by Geekbuying.com			
Project:	Landingship		
File:	GPIO/MIPI_CSI		
Date:	Wednesday, November 18, 2015	Rev:	V1.2
Designed by:	Lu	Sheet:	8 of 9



Power by Geekbuying.com			
Project:	Landingship		
File:	MXM3		
Date:	Wednesday, November 18, 2015	Rev:	V1.2
Designed by:	Lu	Sheet:	9 of 9