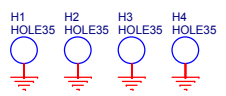
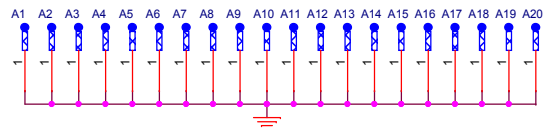


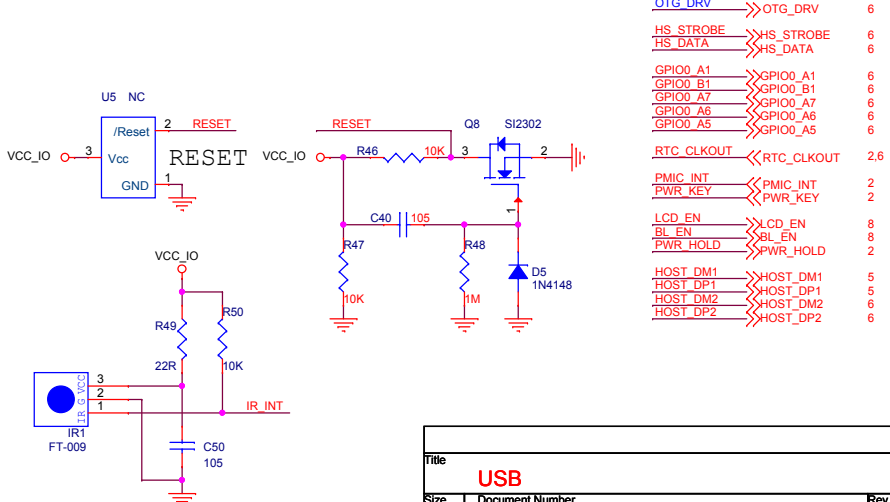
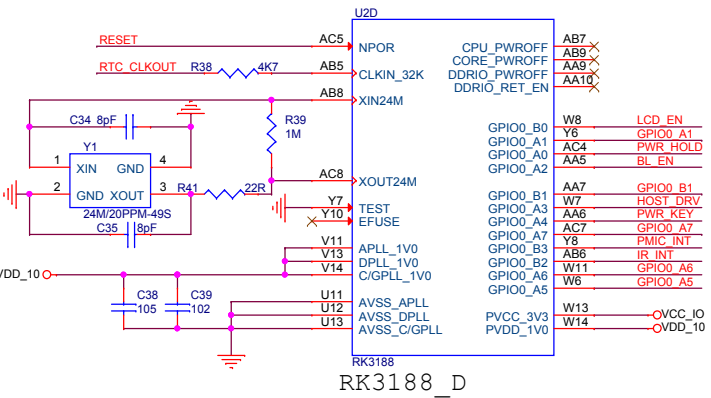
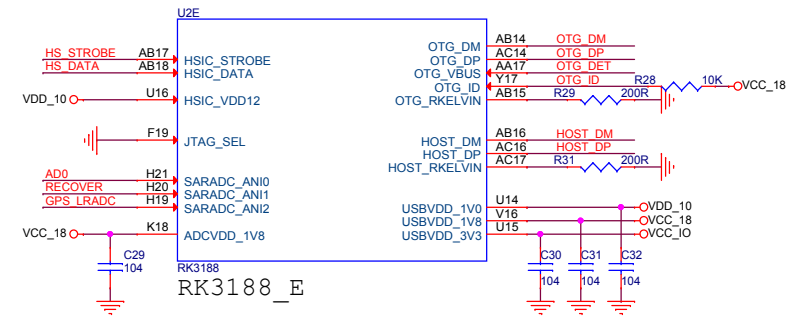
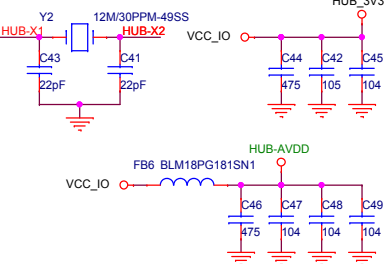
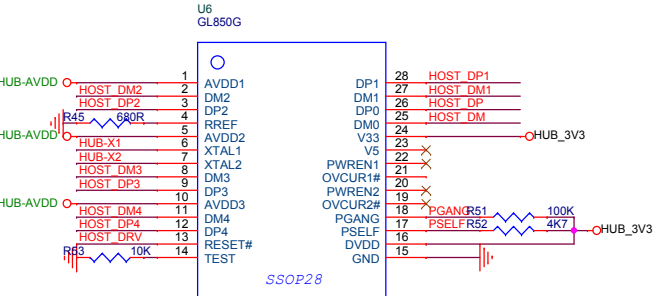
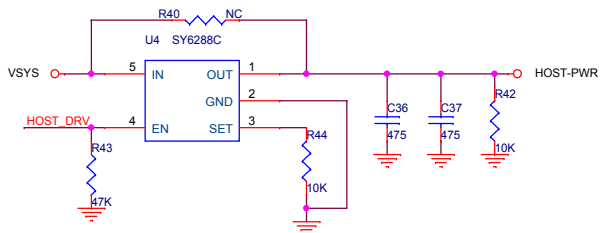
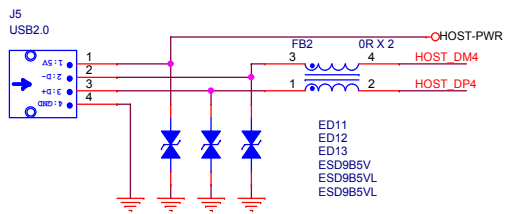
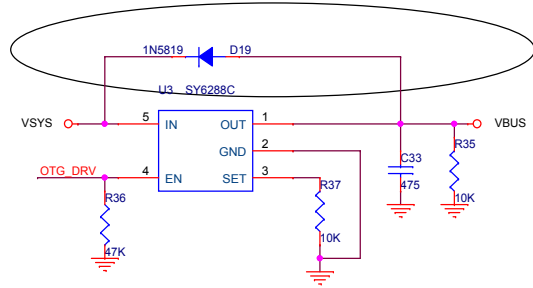
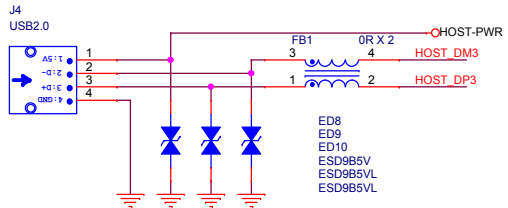
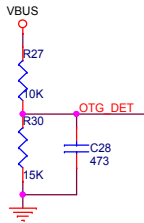
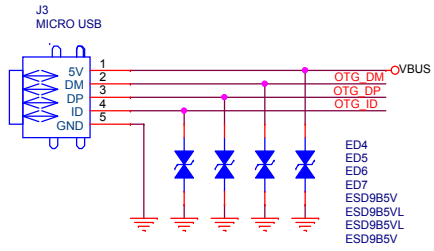
SYSTEM POWER

ACT8846



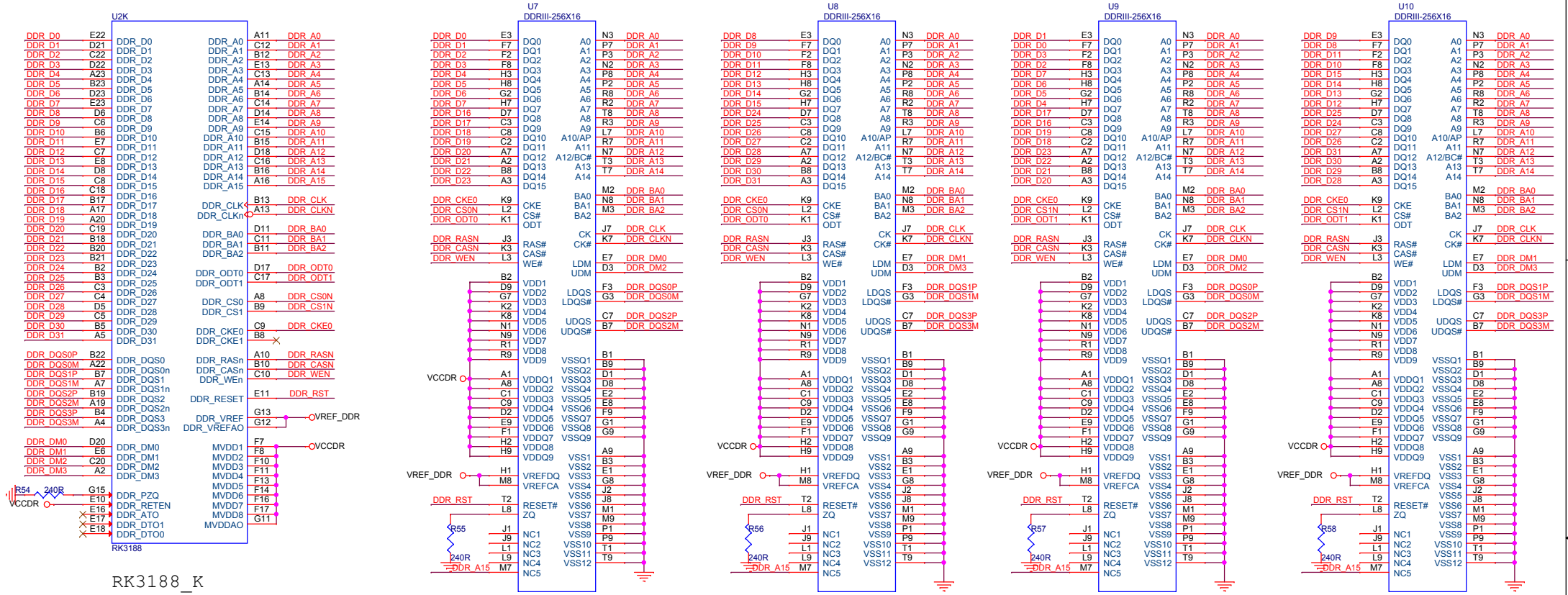
- RTC_INT <<> RTC_INT 6
- RTC_CLKOUT <<> RTC_CLKOUT 3,6
- PMIC_INT <<> PMIC_INT 3
- LED_Sleep <<> LED_Sleep 6
- POWER_SW <<> POWER_SW 6
- PWR_EN <<> PWR_EN 6
- AVDD_COM <<> AVDD_COM 6
- PWR_HOLD <<> PWR_HOLD 3
- PWR_KEY <<> PWR_KEY 3
- DVS0_CTL <<> DVS0_CTL 6
- I2C1_SDA <<> I2C1_SDA 6
- I2C1_SCL <<> I2C1_SCL 6

| | | |
|--------------|---------------------------|--------------|
| Title | | |
| POWER | | |
| Size | Document Number | Rev |
| A3 | RADXA ROCK | 0.2 |
| Date: | Tuesday, October 22, 2013 | Sheet 2 of 9 |

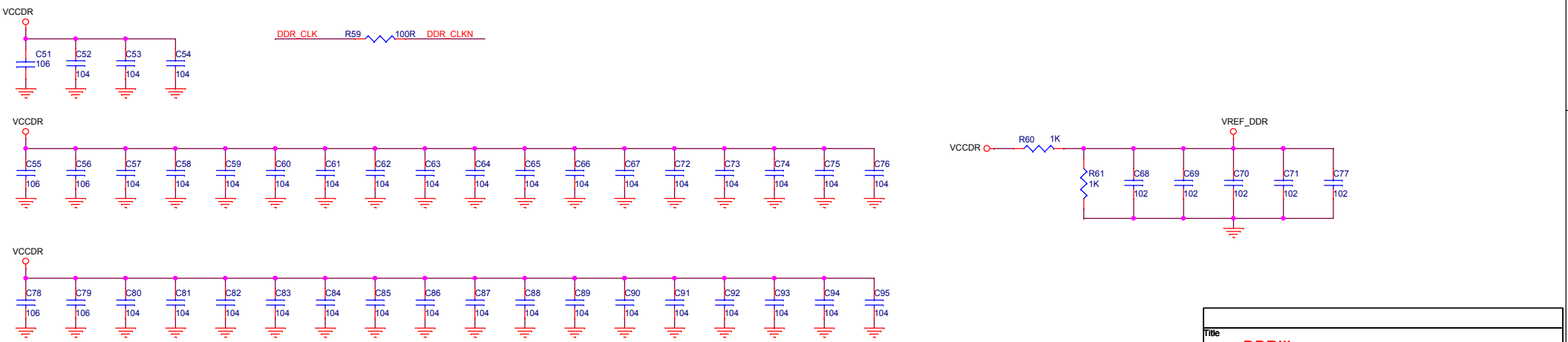


| | | |
|------------|----------------|-----|
| OTG_DRV | >>> OTG_DRV | 6 |
| HS_STROBE | >>> HS_STROBE | 6 |
| HS_DATA | >>> HS_DATA | 6 |
| GPIO0_A1 | >>> GPIO0_A1 | 6 |
| GPIO0_B1 | >>> GPIO0_B1 | 6 |
| GPIO0_A7 | >>> GPIO0_A7 | 6 |
| GPIO0_A6 | >>> GPIO0_A6 | 6 |
| GPIO0_A5 | >>> GPIO0_A5 | 6 |
| RTC_CLKOUT | <<< RTC_CLKOUT | 2,6 |
| PMIC_INT | <<< PMIC_INT | 2 |
| PWR_KEY | <<< PWR_KEY | 2 |
| LCD_EN | <<< LCD_EN | 8 |
| BL_EN | <<< BL_EN | 8 |
| PWR_HOLD | <<< PWR_HOLD | 2 |
| HOST_DM1 | <<< HOST_DM1 | 5 |
| HOST_DP1 | <<< HOST_DP1 | 5 |
| HOST_DM2 | <<< HOST_DM2 | 6 |
| HOST_DP2 | <<< HOST_DP2 | 6 |

| | | |
|-------|---------------------------|--------------|
| Title | | |
| USB | | |
| Size | Document Number | Rev |
| A3 | RADXA ROCK | 0.2 |
| Date: | Tuesday, October 22, 2013 | Sheet 3 of 9 |

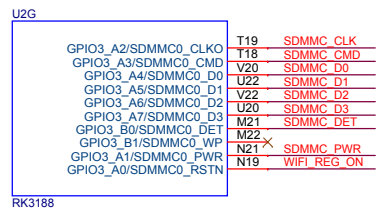
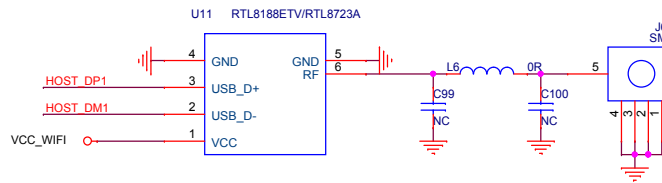
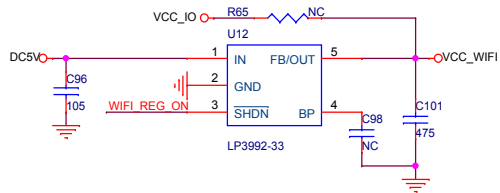


RK3188_K

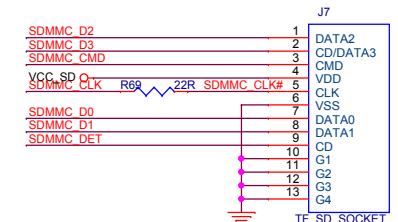
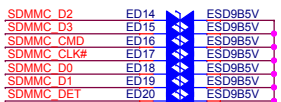
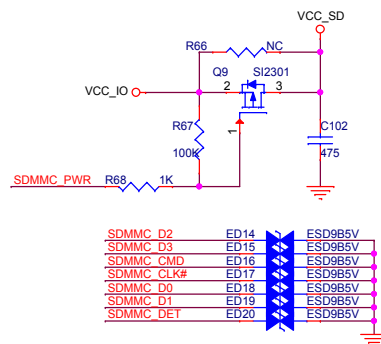


DDR FILTER

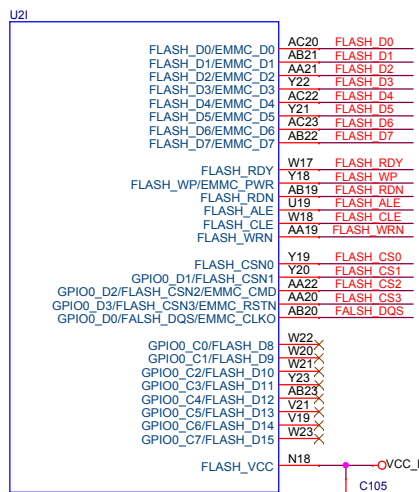
| | | |
|---------------|---------------------------|--------------|
| Title | | |
| DDRIII | | |
| Size | Document Number | Rev |
| A3 | RADXA ROCK | 0.2 |
| Date: | Tuesday, October 22, 2013 | Sheet 4 of 9 |



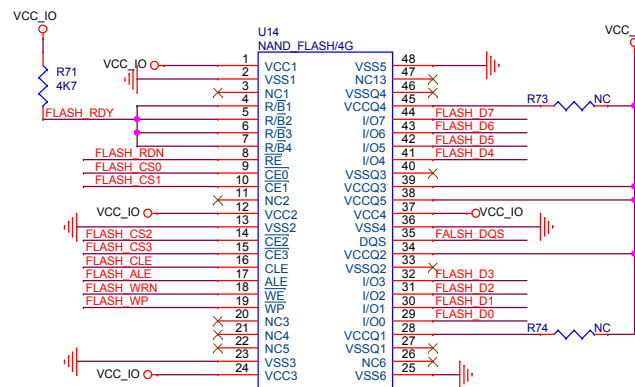
RK3188_G



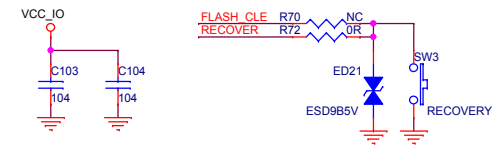
TF Card

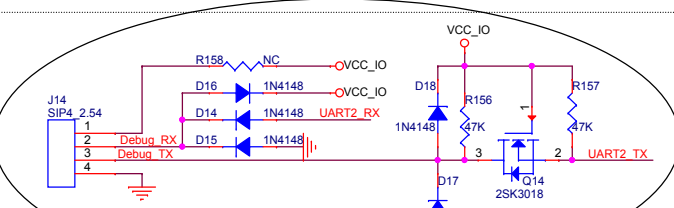
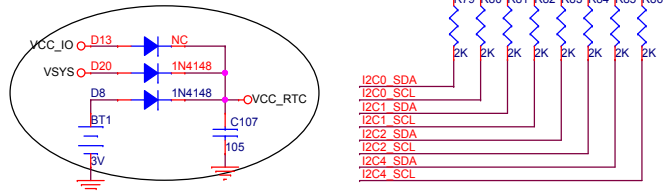
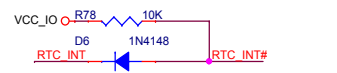
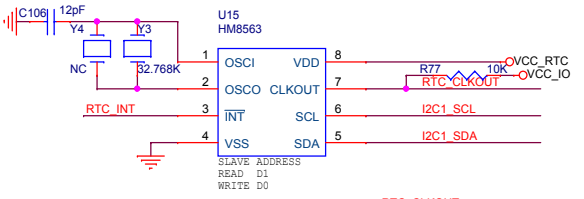
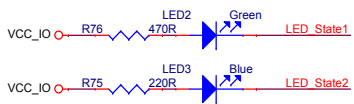


RK3188_I

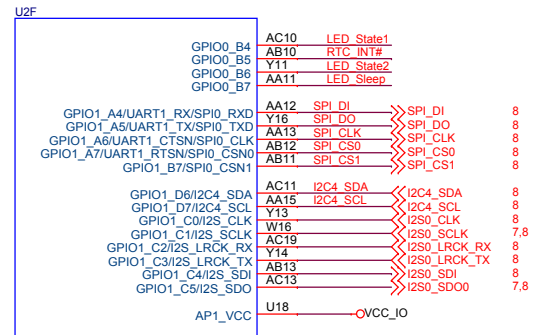


note: if use toshiba and sandisk DDR mode, PIN28 and PIN45 must connect vcc_io.

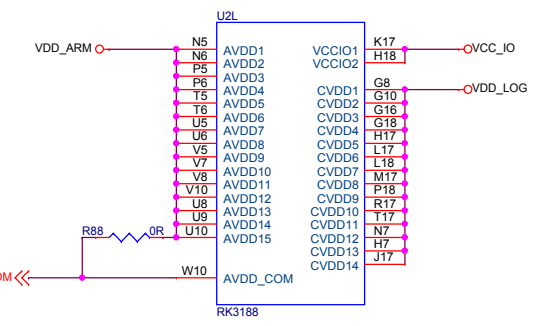




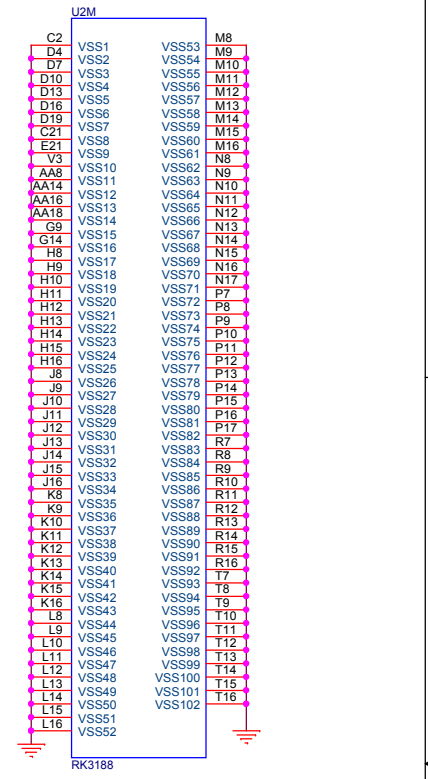
| | | | |
|-----------------------------|-----|------------|---|
| GPIO1_D0/I2C0_SDA | G22 | I2C0_SDA | |
| GPIO1_D1/I2C0_SCL | G21 | I2C0_SCL | |
| GPIO1_D2/I2C1_SDA | G20 | I2C1_SDA | 2 |
| GPIO1_D3/I2C1_SCL | G19 | I2C1_SCL | 2 |
| GPIO1_D4/I2C2_SDA | F21 | I2C2_SDA | 7 |
| GPIO1_D5/I2C2_SCL | E20 | I2C2_SCL | 7 |
| GPIO1_B0/UART2_RX/JTAG_TDI | P20 | UART2_RX | |
| GPIO1_B1/UART2_TX/JTAG_TDO | P19 | UART2_TX | |
| GPIO1_B2/UART3_RX/GPS_MAG | U21 | GPS_RF_MAG | |
| GPIO1_B3/UART3_TX/GPS_SIG | T22 | GPS_RF_SGN | |
| GPIO1_B5/UART3_RTSN | P21 | UART3_RTS | |
| GPIO1_B4/UART3_CTSN/GPS_CLK | T23 | GPS_RF_CLK | |
| GPIO3_D3/PWM0 | N23 | GPS_PWR | 2 |
| GPIO3_D4/PWM1/JTAG_TRSTN | R22 | PWM1 | 2 |
| GPIO3_D5/PWM2/JTAG_TCK | P22 | PWM2 | 2 |
| GPIO3_D6/PWM3/JTAG_TMS | P23 | LCD_BL | 8 |
| GPIO0_D4/SP1_RX | U23 | GPS_PWR | |
| GPIO0_D5/SP1_TX | R21 | GPS_MOSI | |
| GPIO0_D6/SP1_CLK | T21 | GPS_SCLK | |
| GPIO0_D7/SP1_CSN0 | T20 | GPS_SCS | |
| GPIO3_D7 | F22 | OTG_DRV | 8 |
| GPIO2_D7 | F20 | OTG_DRV | 3 |
| GPIO3_B2 | F21 | HDMI_RST | 3 |
| GPIO1_B6/SPDIF_TX/SP1_CSN1 | N20 | SPDIF_TX | 7 |



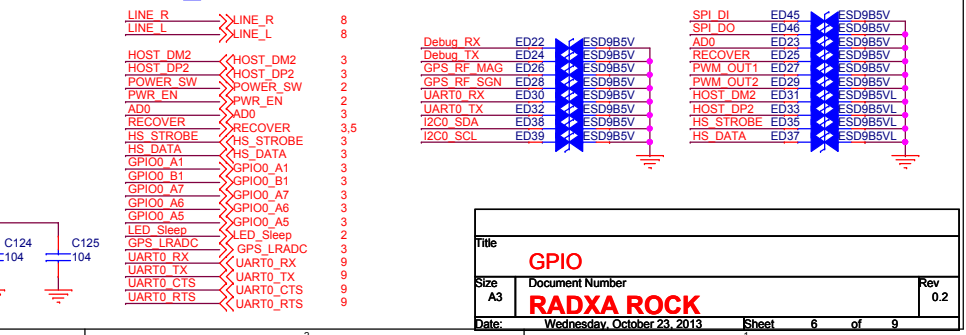
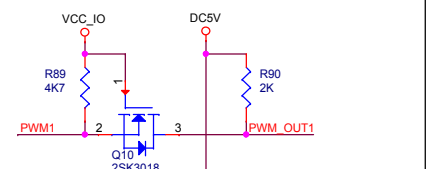
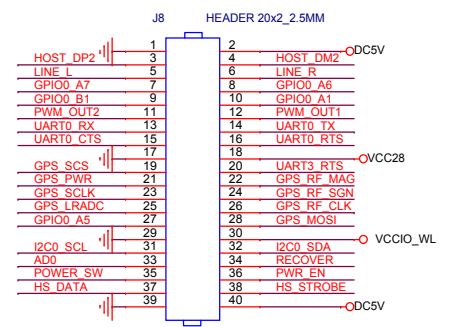
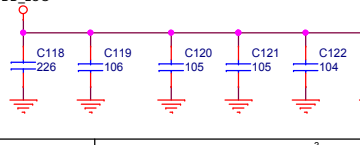
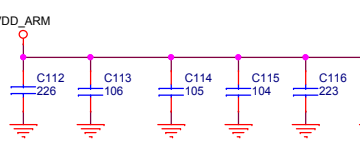
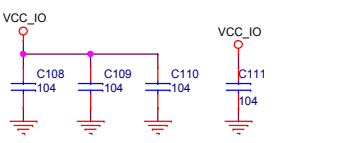
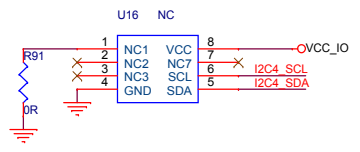
RK3188_F



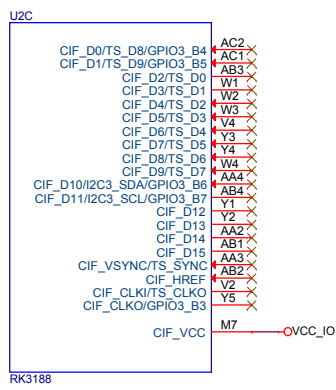
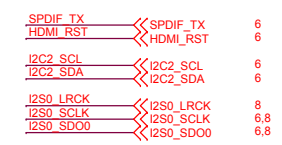
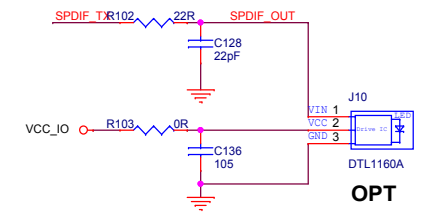
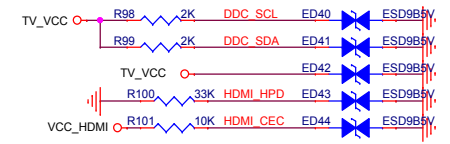
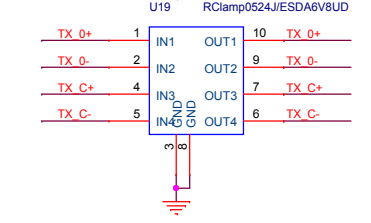
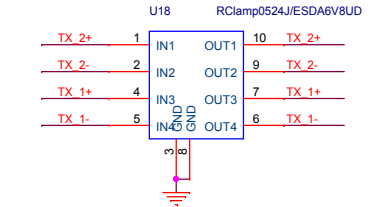
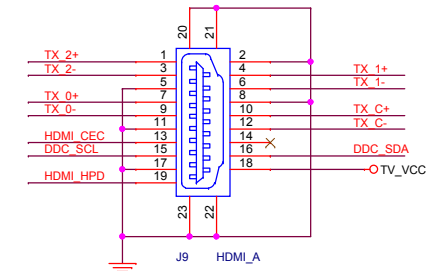
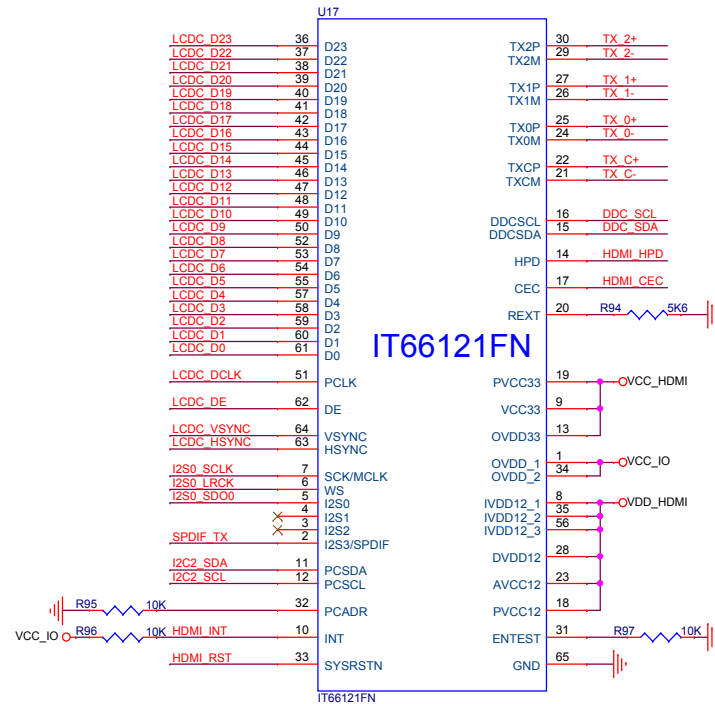
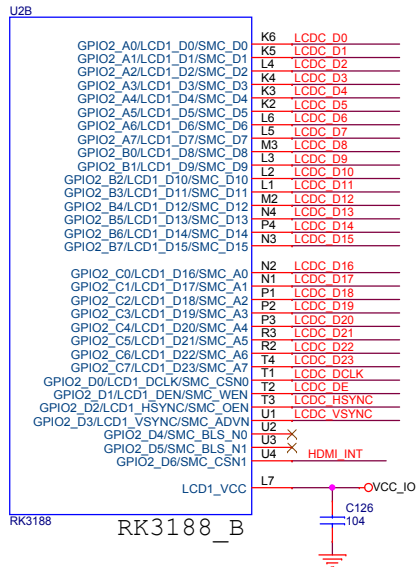
RK3188_L



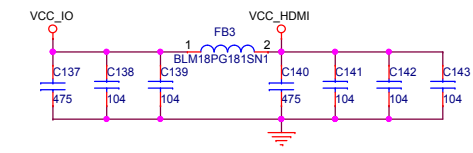
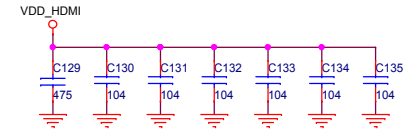
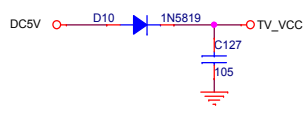
RK3188_M



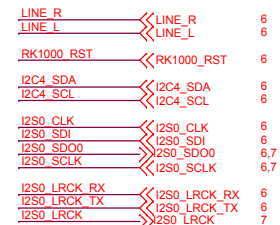
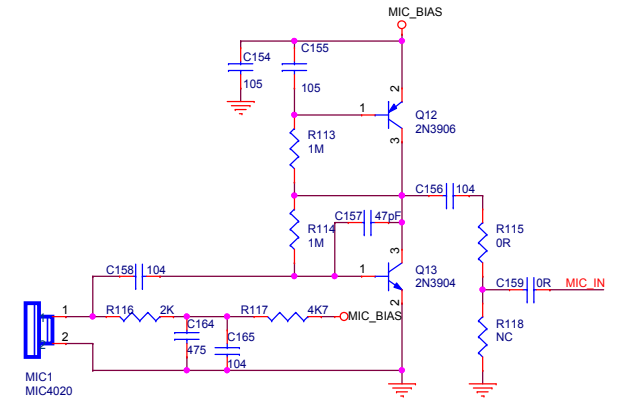
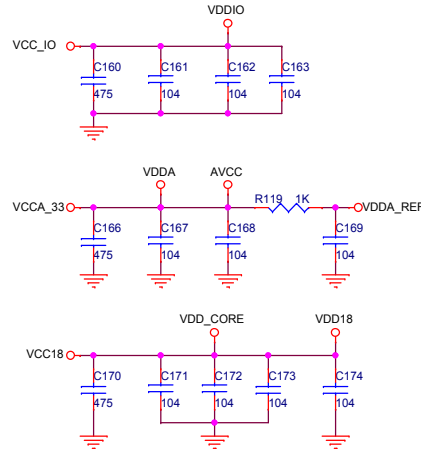
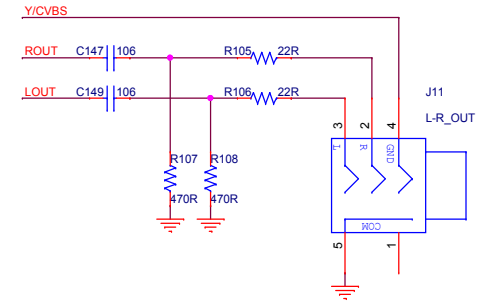
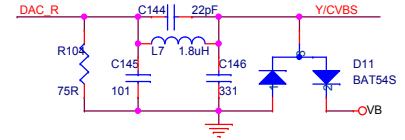
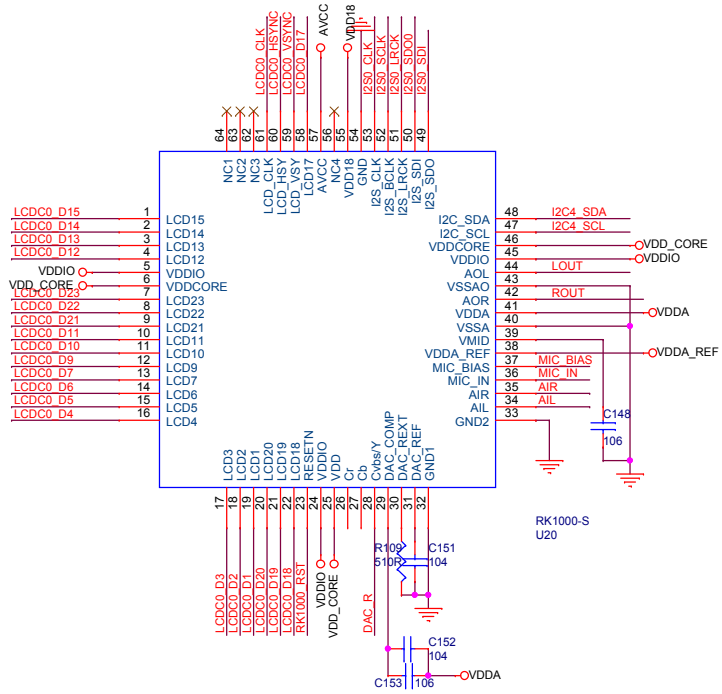
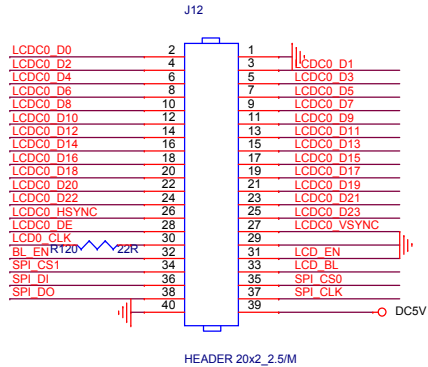
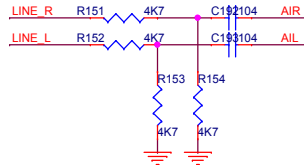
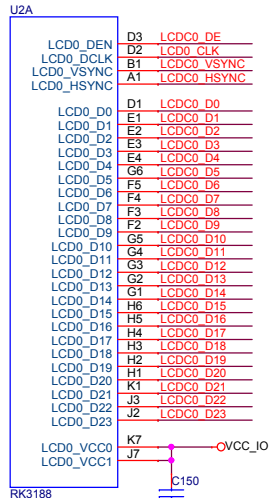
| | | | | | |
|------------|------|---------|-----------|------|---------|
| Debug RX | ED22 | ESD9B5V | SPI DI | ED45 | ESD9B5V |
| Debug TX | ED24 | ESD9B5V | SPI DO | ED46 | ESD9B5V |
| GPS RF MAG | ED26 | ESD9B5V | RECOVER | ED25 | ESD9B5V |
| GPS RF SGN | ED28 | ESD9B5V | PWM OUT1 | ED27 | ESD9B5V |
| UART0 RX | ED30 | ESD9B5V | PWM OUT2 | ED29 | ESD9B5V |
| UART0 TX | ED32 | ESD9B5V | HOST DM2 | ED28 | ESD9B5V |
| I2C0 SDA | ED38 | ESD9B5V | HOST DP2 | ED33 | ESD9B5V |
| I2C0 SCL | ED39 | ESD9B5V | HS STROBE | ED35 | ESD9B5V |
| | | | HS DATA | ED37 | ESD9B5V |



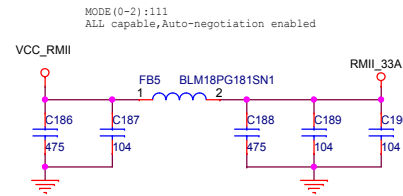
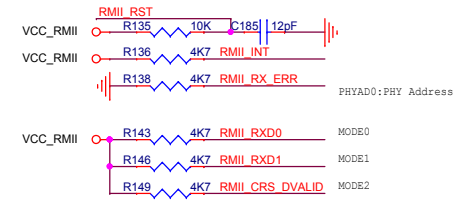
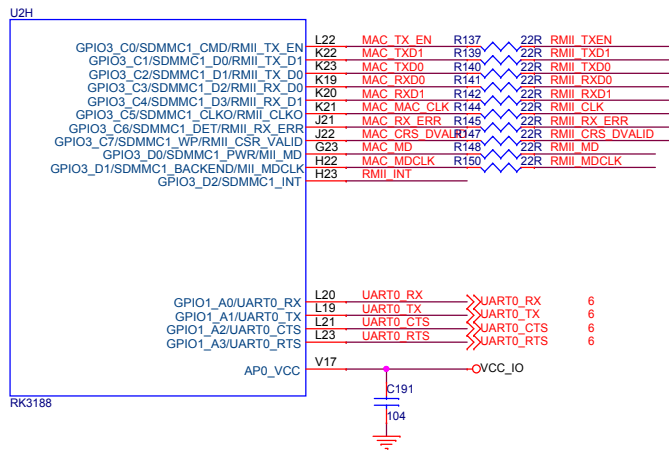
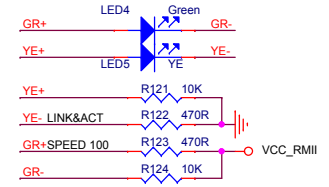
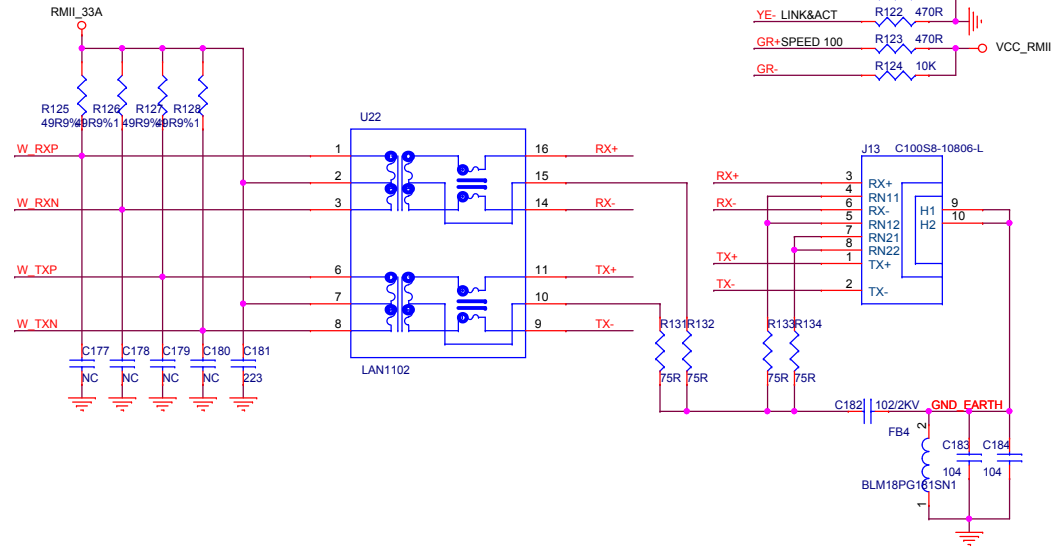
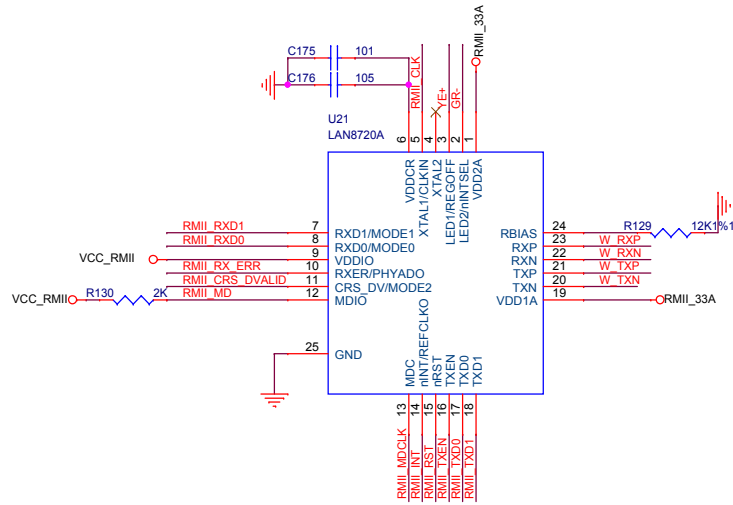
RK3188_C



| | | |
|-------------|---------------------------|--------------|
| Title | | |
| HDMI | | |
| Size | Document Number | Rev |
| A3 | RADXA ROCK | 0.2 |
| Date: | Tuesday, October 22, 2013 | Sheet 7 of 9 |



| | | |
|---------------|---------------------------|--------------|
| Title | | |
| AV OUT | | |
| Size | Document Number | Rev |
| A3 | RADXA ROCK | 0.2 |
| Date: | Tuesday, October 22, 2013 | Sheet 8 of 9 |



| | | |
|-------|---------------------------|--------------|
| Title | | |
| RMII | | |
| Size | Document Number | Rev |
| A3 | RADXA ROCK | 0.2 |
| Date: | Tuesday, October 22, 2013 | Sheet 9 of 9 |